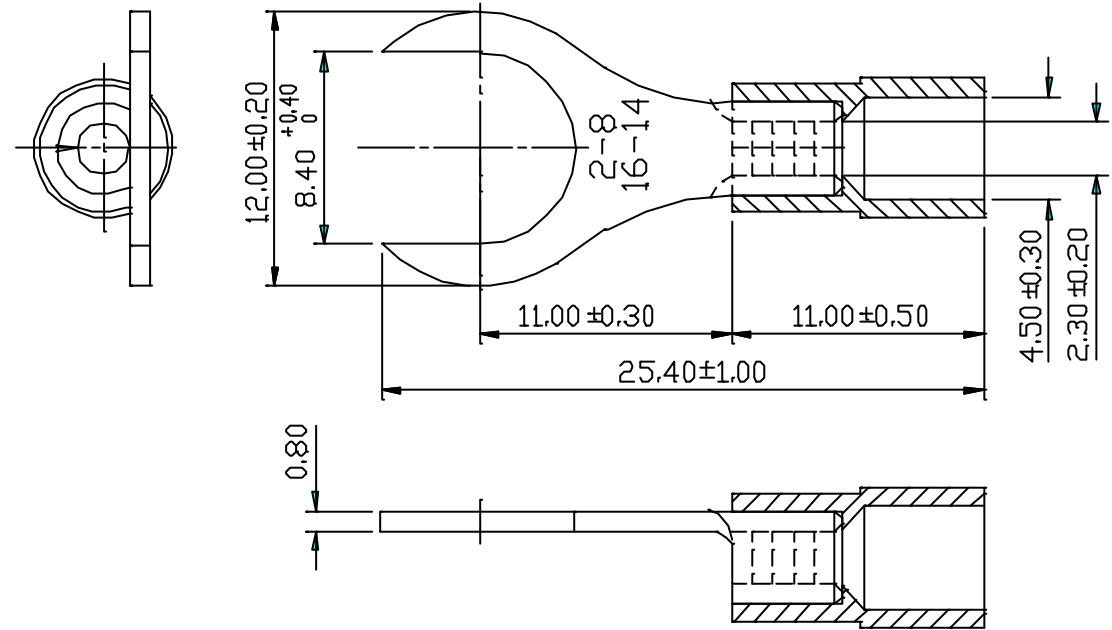




REV	DESCRIPTION	DATE
-----	-------------	------

1  
2  
3  
4  
5  
6



NOTE:

- MAXIMUM ELECTRIC CURRENT:  

A.W.G.	16	14
AMP.	18	30
- MAXIMUM ELECTRICAL RATING:  
75°C 600 VOLTS MAX.
- INSULATION MATERIAL: VINYL
- INSULATION COLOR: BLUE
- TERMINAL MATERIAL: COPPER
- WIRE RANGE: 16-14A.W.G. (1.5-2.5mm<sup>2</sup>)

Tolerance Unless Otherwise Specified	
0 >	MM ± ANGLE
>	MM ± 0° REF ±
>	MM ± ° ±
>	MM ± ° ±

NAME	VINYL-INSULATED FORK TERMINALS			UNIT	mm	
PART NO.	AVY2-8e	MATERIAL		APPROVE		
NUMBER	TNV-1014	SCALE	SHEET PAGE	CHECKED		
DATE	09/06/2005	3 : 1	1-0 1 OF 1	DRAWN		

A B C D E F G H