



ENGLISH

Datasheet

RS PRO IP67 USB-A 2.0 – Plastic Panel Mount with 2m to USB-A 2.0 Socket⁴



The RS PRO series of waterproof plastic USB-A connectors are a range of ruggedised IP67 connectors designed to be used outdoors or in harsher industrial environments. Designed to fit panel cut outs of 25.5mm the plastic USB-A series also comes with rear potting on the panel mount connectors. This ensures your panel is still sealed to an IP67 rating even when the connector is unmated, and the sealing cap is not connected. The bayonet mating allows for quick and easy connection and disconnection while the Gold-plated contacts and USB Version 2.0 ensures 480Mbps data speeds.

Features & Benefits:

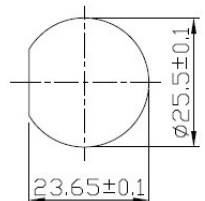
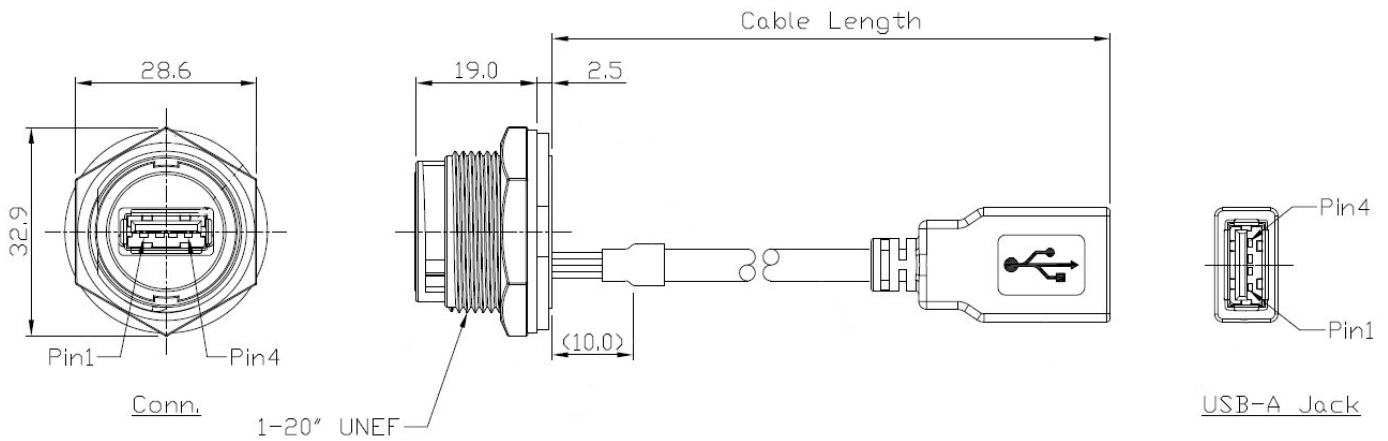
- PA66 Housing
- IP67
- Rear Potted
- Bayonet Mating
- USB-A 2.0
- Speeds up to 480Mbps

Quality Standards



Dimensional line drawings

231-7878



Recommend Panel Cut-Out

