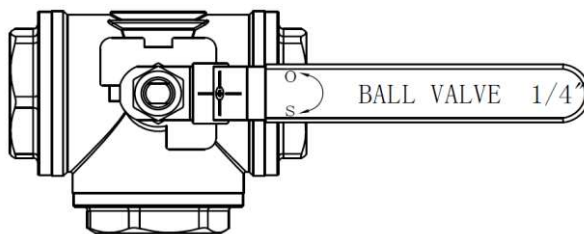
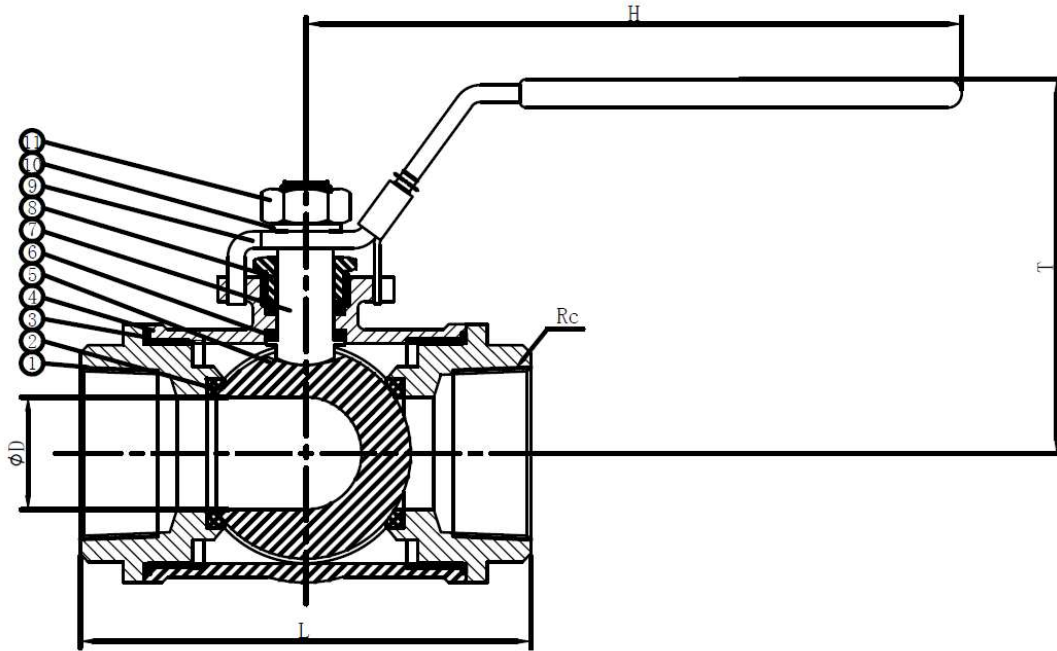


3 Way Ball Valves L-Port

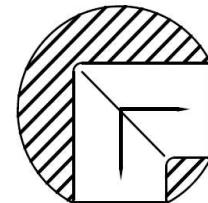
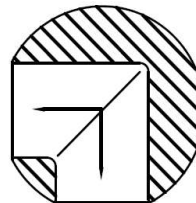
Features

- Female 3 Way Ball Valve, L-Port Design
- Sizes: 1/4" – 2" (DN8 – DN50)
- Working Pressure: 1000 WOG
- Threaded End: BSPP, NPT
- Applicable Medium: General Oil, Gas & Water Applications
- Blow-out Proof Stem Design
- Temperature: -20 Deg C to 120 Deg C



RIGHT

LEFT



Material List

No.	Part Name	Material	No.	Part Name	Material
1	Bonnet	CF8M	7	Stem	316
2	Seat	PTFE	8	Gland	304
3	Gasket	PTFE	9	Lever	SS201
4	Body	CF8M	10	Washer	SS304
5	Ball	316	11	Nut	SS304
6	Thrust Gasket	PTFE			

Ordering Information

VL - S - BL - G - 1000 - 08
 I II III IV V VI

I Type of Item
 VL Low Pressure Valves

II Material Grade
 S SS316, CF8M CI Cast Iron
 FS Forged Steel CS Cast Steel
 B Brass

III Item
 GA Gate Valve B1 1 PC Ball Valve
 GL Globe Valve B2 2 PC Ball Valve
 YS Y-Strainer B3 3 PC Ball Valve
 SC Swing Check Valve BL 3 Way Ball Valve L Port
 VC Vertical Check Valve BT 3 Way Ball Valve T Port
 WC Wafer Check Valve BMF Male x Female Mini Ball Valve
 DD Dual Disk BU Butterfly Valve

IV Connection Type
 SW S/W G BSPP
 BW B/W N NPT
 R BSPT F Flange End
 W Wafer L Lug

V Pressure
 200 200 PSI 2000 2000 PSI
 300 300 PSI 150 ANSI 150# Flange Standard
 600 600 PSI 10K JIS 10K Flange Standard
 800 800 PSI PN16 PN 16 Flange Standard
 1000 1000 PSI

For Inch OD & Inch NB Sizes

VI Size

Size	1/8"	1/4"	5/16"	3/8"	1/2"	5/8"	3/4"	1"
Code	02	04	05	06	08	10	12	16
Size	1 1/4"	1 1/2"	2"	2 1/2"	3"	4"	5"	6"
Code	20	24	32	40	48	64	80	96

VII Coating
 (None) No Additional Coating
 NI Nickel Plating

Dimension List

NPS	Connection	Impa Code	Part No	D	L	H	T	Weight (Kg)
1/4"	BSPP	-	VL-S-BL-G-1000-04	6	65.5	100	51	0.58
3/8"	BSPP	-	VL-S-BL-G-1000-06	6	65.5	100	51	0.55
1/2"	BSPP	-	VL-S-BL-G-1000-08	10	75.5	100	57	0.52
3/4"	BSPP	-	VL-S-BL-G-1000-12	15	82.5	108	62	0.71
1"	BSPP	-	VL-S-BL-G-1000-16	20	88	140	72	0.98
1 1/4"	BSPP	-	VL-S-BL-G-1000-20	25	105	152	88	2.18
1 1/2"	BSPP	-	VL-S-BL-G-1000-24	32	135	166	100	3.17
2"	BSPP	-	VL-S-BL-G-1000-32	39	149	170	102	4.38
1/4"	NPT	-	VL-S-BL-N-1000-04	6	65.5	100	51	0.58
3/8"	NPT	-	VL-S-BL-N-1000-06	6	65.5	100	51	0.55
1/2"	NPT	-	VL-S-BL-N-1000-08	10	75.5	100	57	0.52
3/4"	NPT	-	VL-S-BL-N-1000-12	15	82.5	108	62	0.71
1"	NPT	-	VL-S-BL-N-1000-16	20	88	140	72	0.98
1 1/4"	NPT	-	VL-S-BL-N-1000-20	25	105	152	88	2.18
1 1/2"	NPT	-	VL-S-BL-N-1000-24	32	135	166	100	3.17
2"	NPT	-	VL-S-BL-N-1000-32	39	149	170	102	4.38

Part Number Reference

Impa Code	Part No	Description
-	VL-S-BL-G-1000-04	1/4"BSPP SS316 3 WAY BALL VALVE,L PORT (1000 PSI)
-	VL-S-BL-G-1000-06	3/8"BSPP SS316 3 WAY BALL VALVE,L PORT (1000 PSI)
-	VL-S-BL-G-1000-08	1/2"BSPP SS316 3 WAY BALL VALVE,L PORT (1000 PSI)
-	VL-S-BL-G-1000-12	3/4"BSPP SS316 3 WAY BALL VALVE,L PORT (1000 PSI)
-	VL-S-BL-G-1000-16	1"BSPP SS316 3 WAY BALL VALVE,L PORT (1000 PSI)
-	VL-S-BL-G-1000-20	1 1/4"BSPP SS316 3 WAY BALL VALVE,L PORT (1000 PSI)
-	VL-S-BL-G-1000-24	1 1/2"BSPP SS316 3 WAY BALL VALVE,L PORT (1000 PSI)
-	VL-S-BL-G-1000-32	2"BSPP SS316 3 WAY BALL VALVE,L PORT (1000 PSI)
-	VL-S-BL-N-1000-04	1/4"NPT SS316 3 WAY BALL VALVE,L PORT (1000 PSI)
-	VL-S-BL-N-1000-06	3/8"NPT SS316 3 WAY BALL VALVE,L PORT (1000 PSI)
-	VL-S-BL-N-1000-08	1/2"NPT SS316 3 WAY BALL VALVE,L PORT (1000 PSI)
-	VL-S-BL-N-1000-12	3/4"NPT SS316 3 WAY BALL VALVE,L PORT (1000 PSI)
-	VL-S-BL-N-1000-16	1"NPT SS316 3 WAY BALL VALVE,L PORT (1000 PSI)
-	VL-S-BL-N-1000-20	1 1/4"NPT SS316 3 WAY BALL VALVE,L PORT (1000 PSI)
-	VL-S-BL-N-1000-24	1 1/2"NPT SS316 3 WAY BALL VALVE,L PORT (1000 PSI)
-	VL-S-BL-N-1000-32	2"NPT SS316 3 WAY BALL VALVE,L PORT (1000 PSI)