



# Datasheet

## RS PRO Enclosures With side panels

Stock number: 1920784

EN

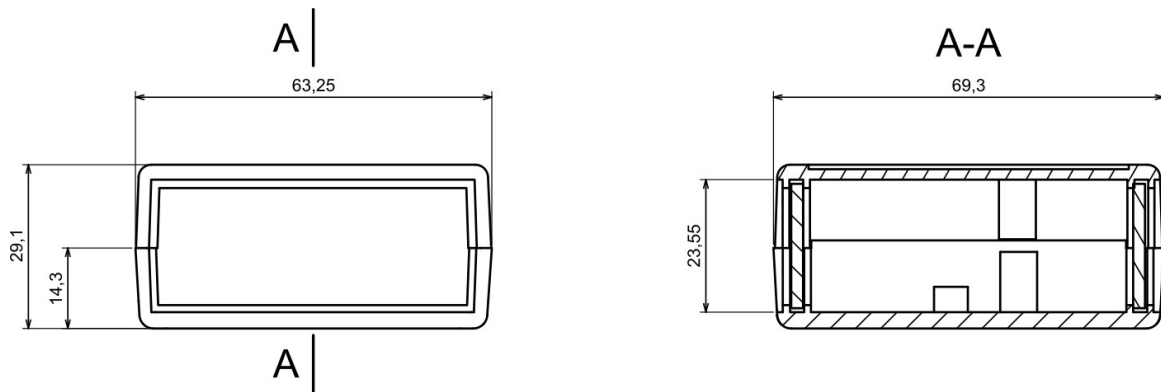


## Product Details

Enclosure with side panels is made of black ABS. The enclosure has front and rear panel it provides IP42 and IK06 protection rating it is ideal for applications that doesn't require hermetic seal.

## Features and Benefits

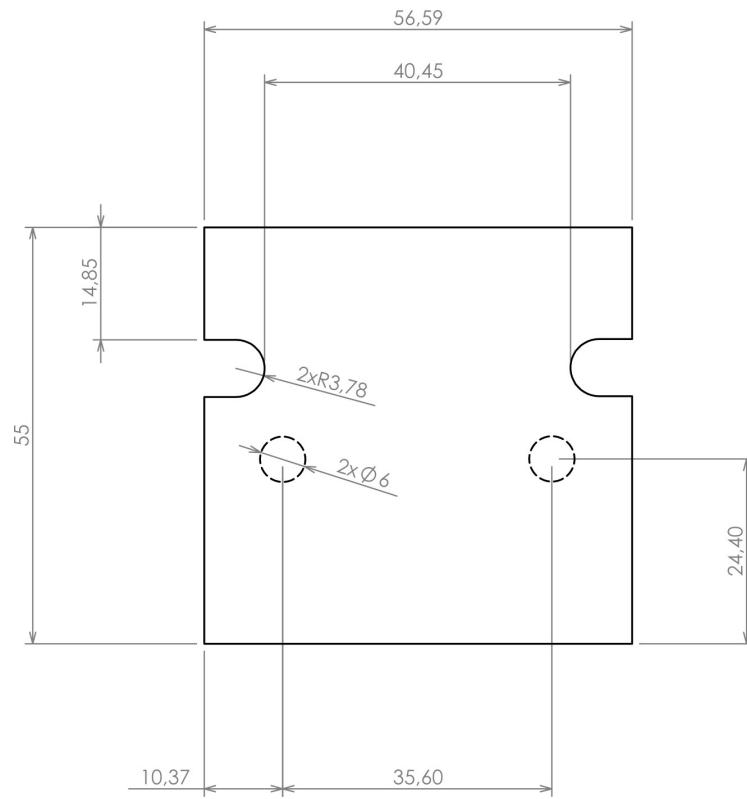
- Made of ABS
- Available in black color
- Protection against liquids and solid objects: IP42 rating
- Shock protection level: IK06 rating
- Side panels for easy customization
- Supplied with four screws and plastic feet for assembly
- Lid with recess for keypads and overlays



Category	Enclosures With side panels
Type	Full
Material	ABS
Variant	Without gasket
Height	29.1 mm
Width	63.3 mm
Length	69.3 mm
Color	Black
Protection level	IP42
Shock protection level	IK06
Standards Met	RoHS Compliant
Accessories	Screw 3/25: 2.0 pcs
Certificate number	CE/031/18



## Max PCB size



Dashed line shows outline of the mounting boss under PCB board  
Recommended mounting holes diameter  $\phi 3,5\text{mm}$   
All dimensions are given within  $\pm 0,5\text{mm}$  tolerance