



EN

Datasheet

RS PRO VINYL-INSULATED LOCKING SPADE TERMINALS

Stock number: 178-8365

MAXIMUM ELECTRIC CURRENT:

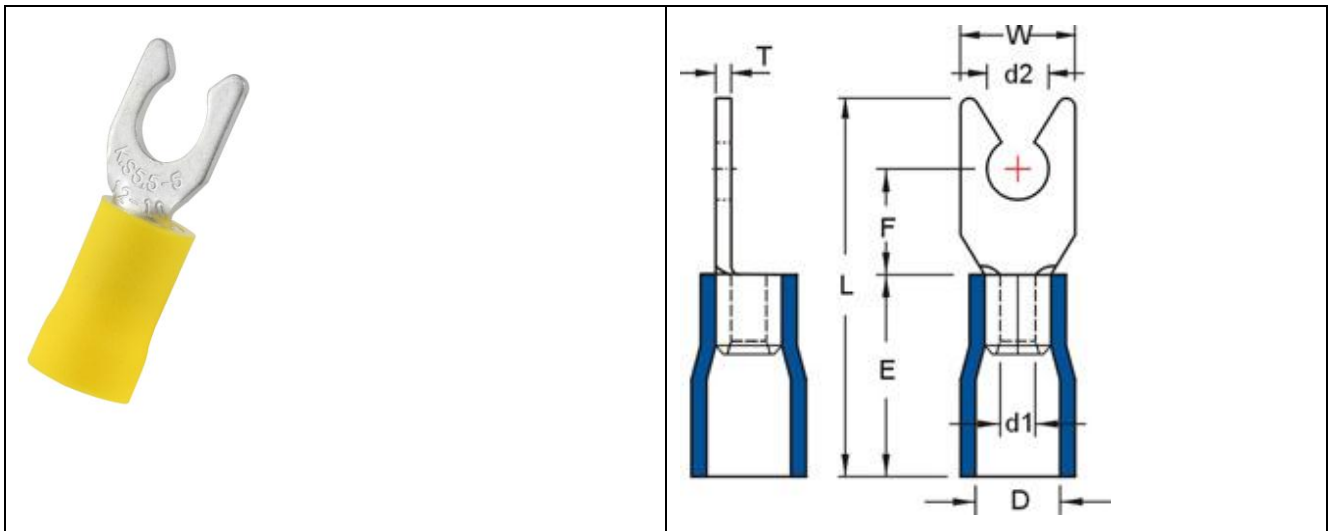
A.W.G.	12	10
AMP.	35	50

MAXIMUM ELECTRICAL RATING: 105° C 600 VOLTS MAX.

INSULATION MATERIAL: VINYL (PVC)

TERMINAL MATERIAL: COPPER

INSULATION COLOR: YELLOW



WIRE RANGE A.W.G. mm ²	ITEM NO. BRAZED SEAM	STUD SIZE #10 d2	DIMENSION inch(mm)							
			W	F	L	E	D	d1	T	
12-10 A.W.G.	178-8365	#10	0.209	0.354	0.276	0.992	0.512	0.252	0.134	0.039
4-6 mm ²			5.3	9	7	25.2	13	6.400	3.4	1