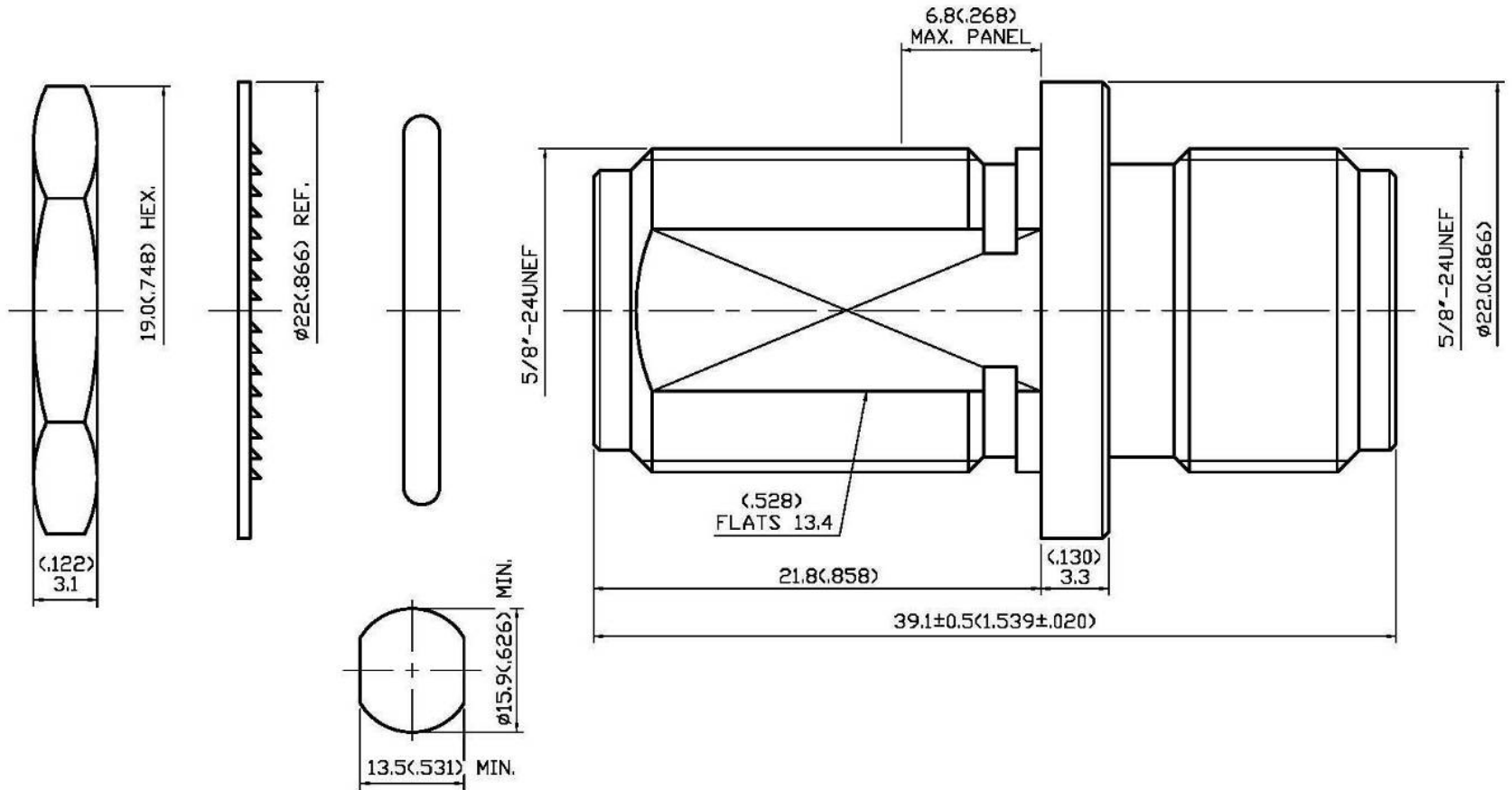


NO	DESCRIPTION	DATE
①	MODIFY 4.2	07.31.12'
⚠	DEL PROOF VOLTAGE; INSULATION WORKING VOLTAGE —— VOLTAGE RATING	12.28.12'



1.0 ELECTRICAL

- 1.1 FREQUENCY RANGE: DC-1.5 GHz
- 1.2 NOMINAL IMPEDANCE: 75 OHM
- 1.3 VOLTAGE RATING: 500 VOLTS MAX. ⚠
- 1.4 VSWR: 1.35 MAX.

2.0 MATERIALS

- 2.1 BODIES: BRASS PER JIS-C3604
- 2.2 CENTER CONTACT: BRASS PER JIS-C3604

3.0 FINISHES AND OTHERS

- 3.1 SEE BELOW TABLE FOR DETAILS.

4.0 ENVIRONMENTAL

- 4.1 OPERATING TEMPERATURE RANGE: -85° C TO +165° C
- 4.2 CONNECTOR MUST WITHSTAND WATERPROOF LEAK TEST PRESSURE 7kg/cm² MIN. ⚠

MOUNTING HOLE
SCALE 1.5:1

APPROVED by _____ DATE: _____

NO	DESCRIPTION	MATERIAL	Q'TY	FINISH
7	NUT	BRASS	1	NICKEL
6	WASHER	BRASS	1	NICKEL
5	O-RING	SILICONE	1	BLACK
4	HERMETICALLY SEALED	——	1	NONE
3	BODY	BRASS	1	NICKEL 100μ" MIN.
2	SLEEVE	BRASS	1	NICKEL 100μ" MIN.
1	CENTER CONTACT	BRASS	2	GOLD 30μ" MIN.
NO	DESCRIPTION	MATERIAL	Q'TY	FINISH



DESCRIPTION		HERMETICALLY SEALED STRAIGHT BULKHEAD N JACK-JACK ADAPTER						
製圖	DRAWN	TOLERANCE	品名	11-23-1 x.G.N	日期	DATE	版次	REV.
	Kristina							
檢圖	CHECK	.XX ±0.1	單位	UNIT	DWG.NO.	11-0268		
	Ivan						mm(in)	
認定	APPROVAL	.XXX ±0.05	比例	SCALE				
	Angela				ANGLE ±5°	4:1		