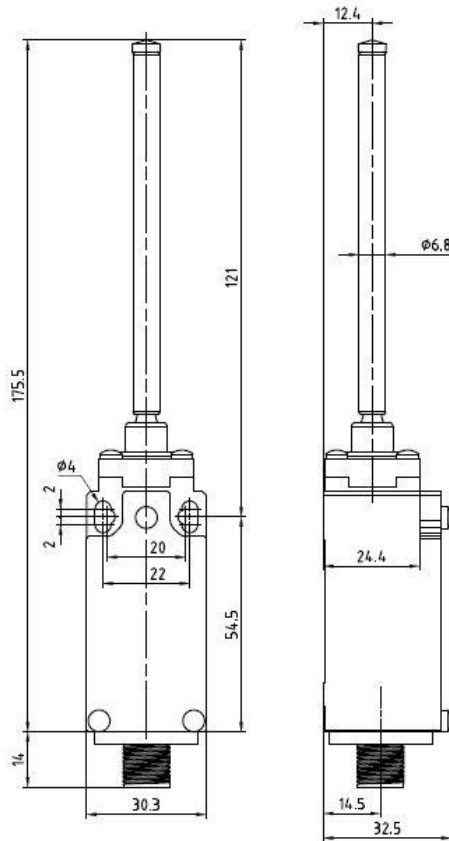


Datasheet

Stock No: 153-3971

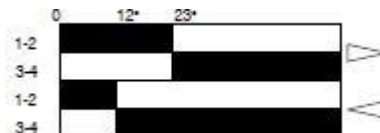
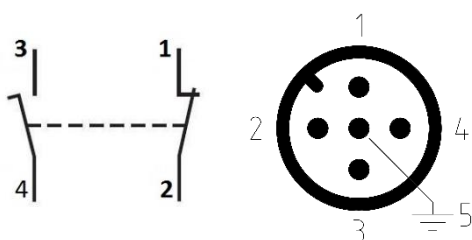
# RS Pro 1NO + 1NC Coil Spring Limit Switch



- 5 Pole M12 Connector
- Metal Casing
- 30 mm Width
- IP66
- Stainless Steel Multidirectional Coil Spring Actuator
- Snap Action Contacts (1NO + 1NC)



## Operating Diagrams



Positive opening operations according to IEC 60947-5-1



## Technical Data

			Metal casing
<b>Standards</b>	Devices conform with standards IEC 60947-5-1 and EN 60947-5-1		
<b>Air temperature</b>			
– during operation	°C		– 25 ... + 70
– for storage	°C		– 30 ... + 80
<b>Protection against electrical shocks</b> (according to IEC 61140)	Class I		
<b>Protection degree</b> (According to IEC 60529 and EN 60529)	IP66		
<b>Rated insulation voltage <math>U_i</math></b>	250 V (pollution degree 3)		
– according to IEC 60947-1 and EN 60947-1			
<b>Rated impulse withstand voltage <math>U_{imp}</math></b>	KV		2.5
(according to IEC 60947-1 and EN 60947-1)			
<b>Conventional free air thermal current <math>I_{th}</math></b>	A		4
(according to IEC 60947-5-1 and EN 60947-5-1) $\theta < 40^\circ\text{C}$			
<b>Short-circuit protection</b>	A		4
$U_e < 500\text{V a.c.}$ – gG (gl) type fuses			
<b>Rated operational current</b>			
$I_e$ / AC-15 (according to IEC 60947-5-1)	24V - 50/60 Hz	A	4
	120V - 50/60 Hz	A	4
	400V - 50/60 Hz	A	4
$I_e$ / DC-13 (according to IEC 60947-5-1)	24V - d.c.	A	4
	125V - d.c.	A	0.55
	250V - d.c.	A	0.4
<b>Switching frequency</b>	Cycles/h		3600
<b>Load factor</b>			0.5
<b>Resistance between contacts</b>	m $\Omega$		25
<b>Connecting terminals</b>	M12 – 5 poles – Male connector		
<b>Mechanical durability</b>	Millions of operations		5