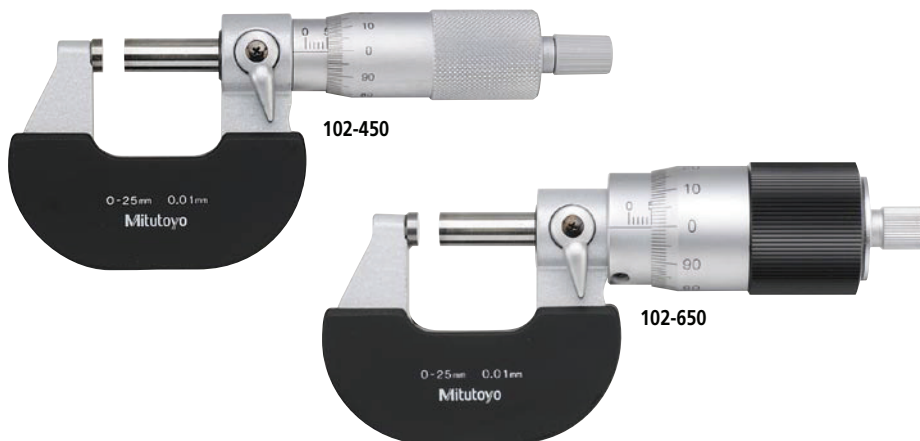


# Quick-Setting Outside Micrometers

## SERIES 293,102

### FEATURES

- 1mm spindle thread pitch for quick setting.
- The measurement can be read directly from the thimble due to the 100 step graduation.
- With Ratchet Thimble or Ratchet Stop for constant force.
- With a standard except for 25mm model.
- With SPC output (series 293).



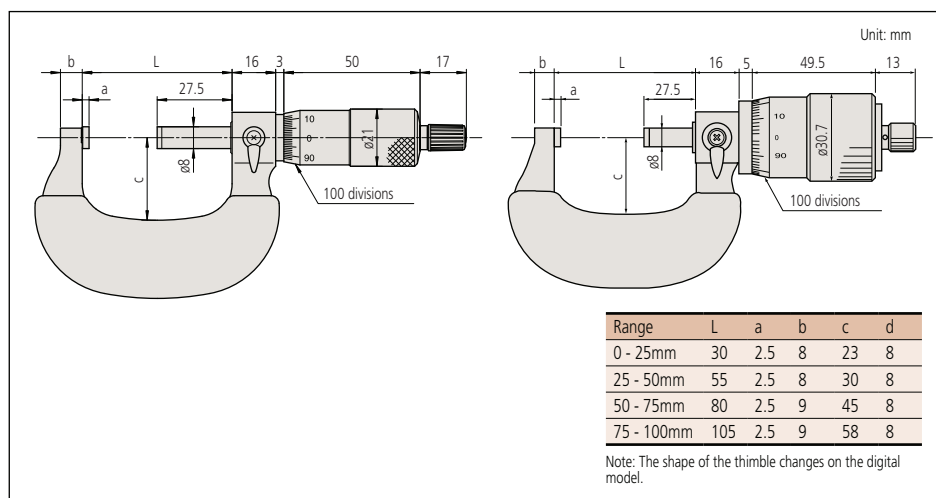
### SPECIFICATIONS

Metric Digital model with ratchet stop		
Range	Order No.	Accuracy
0 - 25mm	293-151-30	±1μm
25 - 50mm	293-152-30	±1μm
50 - 75mm	293-153-30	±1μm
75 - 100mm	293-154-30	±2μm

Metric With ratchet thimble		
Range	Order No.	Accuracy
0 - 25mm	102-650	±2μm
25 - 50mm	102-651	±2μm
50 - 75mm	102-652	±2μm
75 - 100mm	102-653	±3μm

Metric With ratchet stop		
Range	Order No.	Accuracy
0 - 25mm	102-450	±2μm
25 - 50mm	102-451	±2μm

### DIMENSION



### Technical Data

Accuracy: Refer to the list of specifications.  
(excluding quantizing error for digital models)  
Resolution\*: 0.001mm  
Graduation\*\*: 0.01mm  
Flatness: 0.6μm  
Parallelism: 1μm (digital), 2μm (analog)  
Measuring faces: Carbide tipped  
Display\*: LCD  
Battery\*: SR44 (1pc.), 938882  
Battery life\*: Approx. 1.2 years under normal use  
\*Digital models \*\*Analog models

### Function of Digital Model

Origin-set, Zero-setting, Data hold, Data output  
Alarm: Low voltage, Counting value composition error

### Optional Accessory for Digital Model

937387: SPC cable (1m)  
965013: SPC cable (2m)