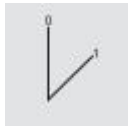
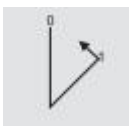

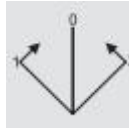
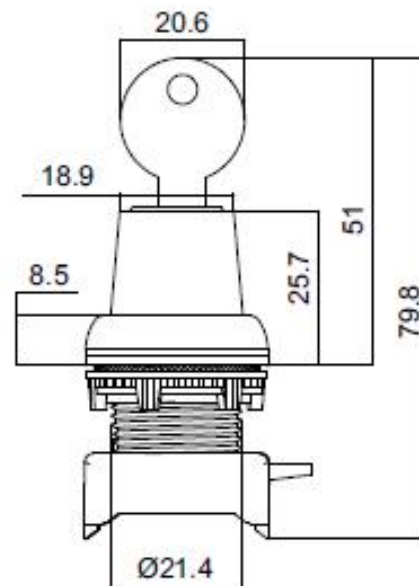


## Datasheet

Stock Number:	188-1149	188-1150	188-1154	188-1155
				
Colour	Black / Silver	Black / Silver	Black / Silver	Black / Silver

## 22mm Key Switch Head



2 and 3 position key switch heads for use with the RS pro modular plastic push button series. Robust design in black with modern silver coloured bezel. Simple installation via standard lock nut. Key may only be inserted and removed in Position "0"

### Specifications:

- 22mm Diameter
- Latching and Sprung return head options
- IP65 rated
- Contact block mounting clip included
- Stackable design for contact blocks (max 6)
- Mechanical life more than 1 million uses.

<b>Stock Number:</b>	188-1149	188-1150	188-1154	188-1155
<b>Colour</b>	Black / Silver	Black / Silver	Black / Silver	Black / Silver
<b>Actuation</b>	2 Position 0° – 30°	2 Position return 0° – 30°	3 Position -45° – 45°	3 Position return -45° – 45°
<b>Cut out Diameter</b>	22.5mm			
<b>Style</b>	Key switch			
<b>IP Rating</b>	IP65			
<b>Shape</b>	Round			
<b>Mounting Type</b>	Panel Mounted			
<b>Body Material</b>	Plastic (Metal Lock)			

**Accessories:**

RS Stock Number	Accessory Type
188-1168	Normally Open Contact Block – Screw Terminal
188-1169	Normally Closed Contact Block – Screw Terminal
188-1170	Normally Open Contact Block – Spring Terminal
188-1171	Normally Closed Contact Block – Spring Terminal
175-3954	Legend Plate 0-I Pack of 5
175-3959	Legend Plate I-O-II Pack of 5
175-3960	Legend Plate OFF - ON Pack of 5
182-8655	Pushbutton Enclosure, 1 Hole, Plastic, Grey, 22mm Cut Out
182-8656	Pushbutton Enclosure, 2 Hole, Plastic, Grey, 22mm Cut Outs
182-8657	Pushbutton Enclosure, 3 Hole, Plastic, Grey, 22mm Cut Outs
182-8658	Pushbutton Enclosure, 4 Hole, Plastic, Grey, 22mm Cut Outs
136-8582	Pushbutton Enclosure, 1 Hole, Die Cast Aluminium, Yellow, 22mm Cut Out
136-8581	Pushbutton Enclosure, 1 Hole, Die Cast Aluminium, Yellow, 22mm Cut Out