



ENGLISH

Datasheet

RS Pro Blue F2000 Terminal Safety Panel Trunking W40XH60

RS Stock No: 136-9123

The Control Panel Trunking Safety is extrusion-made out of rigid-PVC and will be punched.

Characteristic:

Material:	rigid-PVC lead-, silicon- and cadmium-free (RoHS conform)
Operation temperature:	static: -20°C...+60°C (permanently) -30°C...+75°C (briefly)
working temperature:	Dynamic: -5°C...+60°C >0°C
Fire behaviour:	hard to inflame according to DIN 4102; Level B1 Self-extinguishing according to UL94; V0 Fire load: 5,2 kWh/kg
Dielectric strength:	>30kV/mm
UV resistance:	PVC is conditionally permanent to UV-light; changes in colour under UV-light cannot be excluded
Colour:	RAL 5015 blue
Delivery length:	2000 mm with cover

Special property:

- Cover contour 90°
- Ideal fit of cover, easy assembly and disassembly
- Smooth fingers – will not hurt the installer or damage the cables
- Cable hold-back noses from installation height 60 mm onwards
- Web Thickness 5,5 mm; slot width 4,5 mm
- Notch points at the slides and base of trunkings
- Perforated base according to DIN 50085-2-3, identical punch picture for each length
- 3- lanes hole pattern starts at width 80 mm
- Attachments and more information's you will find under www.licatec.de

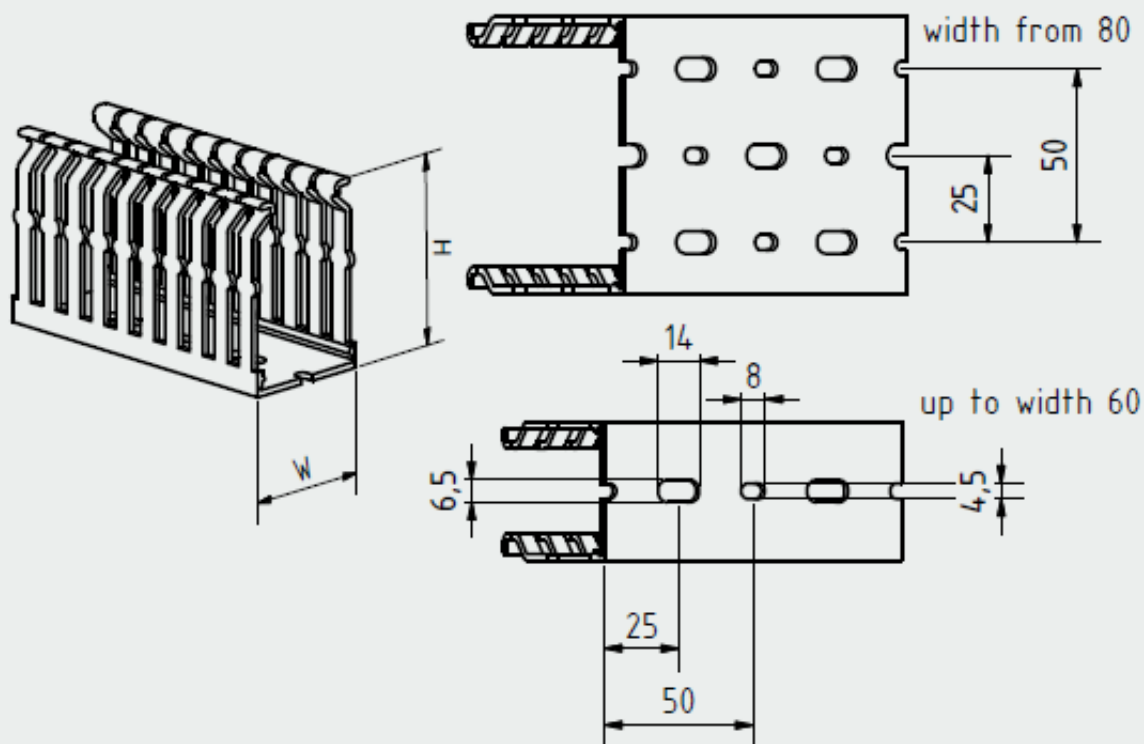


RoHS
konform

Datasheet

Dimension:

Safety	Height (H) in mm	Width (W) in mm			
		30	40	60	80
	60			40	60
	80	30	40	60	80
	100			60	100



RoHS
konform