

# Woofers with Paper Cone and Cloth Surround



## General Specifications

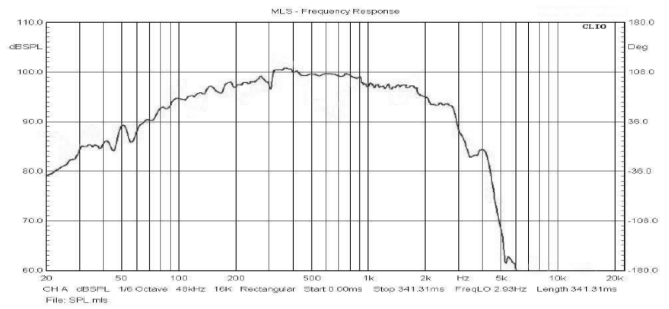
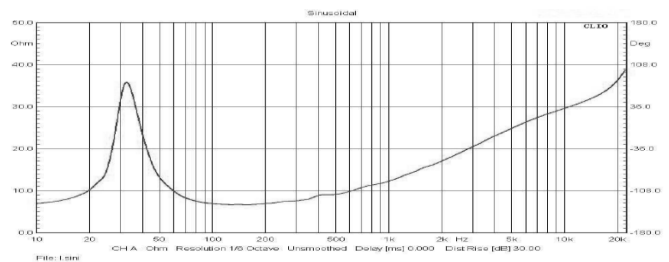
Nominal Diameter	: 15 inch
Rated Impedance	: 8Ω
Operating Bandwidth	: 32Hz to 2kHz
Power Handling Capacity	: 200W RMS
Sensitivity (1W/M)	: 98dB
Voice Coil Diameter	: 3 inch

## Physical Information

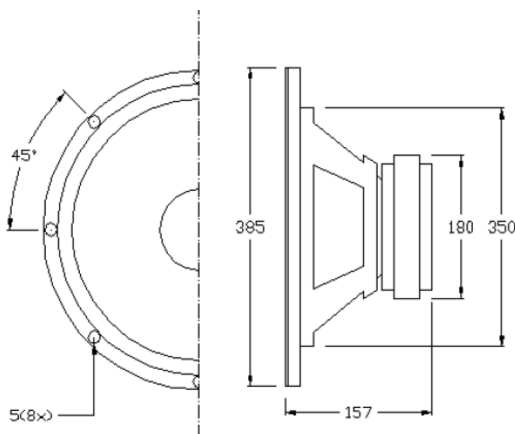
Basket	: Stamped Steel
Magnet Type	: 67 OZ
Cone Material	: None press paper
Surround	: Cloth
Dust Cap	: Paper
Damper	: Cloth

## THIELE-Small Parameters

Resonance Frequency	Fs:	32 Hz
DC Resistance	Re:	7.2Ω
Mechanical Q Factor	Qms:	2.9
Electrical Q Factor	Qes:	0.475
Total Q Factor	Qts:	0.41
Equivalent Cas air load	Vas:	232 liters
Coil Inductance	Le:	1.37mH
Efficiency Bandwidth Product	EBP	67.37
Voice Coil Over Hang	X-max	3.75mm



## Diagram



## Part Number Table

Description	Part Number
Woofers with Paper Cone and Cloth Surround, 15", 200WRMS at 8Ω	55-2953

Dimensions : Millimetres