

FEATURES

- Plain washers in various sizes - M3, M4, M5, M6, M10 and M12
- Internal diameters from 3.0 mm to 12.5 mm
- Outer diameters from 6.7 mm to 15.9 mm

Copper Plain Washer, 0.8mm Thickness, M6

RS Stock No.: 293-195



RS Professionally Approved Products bring to you professional quality parts across all product categories. Our product range has been tested by engineers and provides a comparable quality to the leading brands without paying a premium price.

Product Description

RS PRO range of hard rolled metric copper washers in sizes M3 to M12. This RS PRO range of copper washers are generally used with a machine threaded fastener and nut to spread the load over a greater surface area when tightening a bolt, screw or nut. These washers help prevent wear and distortion of installation surfaces over time whilst reducing heat and friction during the tightening process.

Options include the following sizes:

[293-167](#) - M3

[293-173](#) - M4

[293-189](#) - M5

[293-195](#) - M6

[293-202](#) - M8

[293-218](#) - M10

[293-224](#) - M12

General Specifications

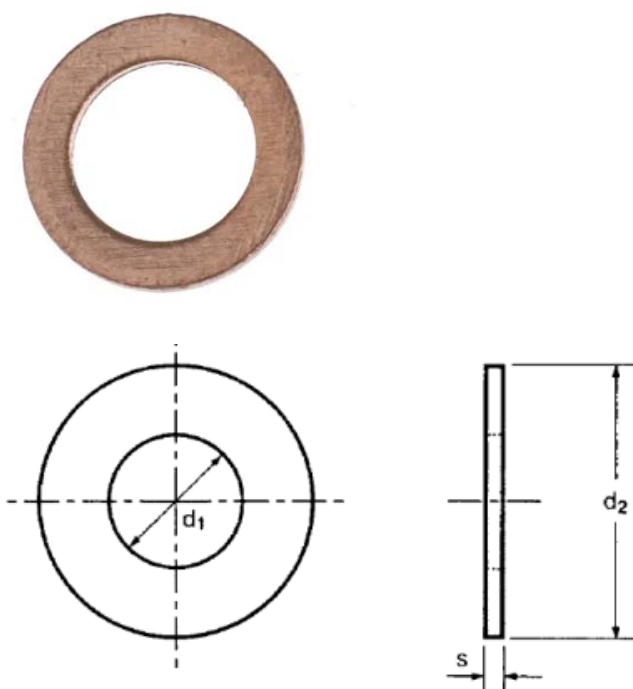
For Screw/Bolt Size	M6
Material	Copper
Finish	Plain
Application	Commonly used in many electronic, food, chemical and construction applications

Mechanical Specifications

Inside Diameter	6.4mm
Outside Diameter	10mm
Thickness	0.8mm

Approvals

Compliance/Certifications	BS4320
----------------------------------	--------



RS Stock Number	Nominal size of bolt or screw	Internal diameter (D1)	Outside Diameter (D2)	Thickness (S)	Weight in Copper (KG/1000 Pieces)	Weight in Aluminium (KG/1000 Pieces)
293-167	M3	3.0 – 3.3	6.7 – 7.0	0.8 – 1.2	0.137	0.043
293-173	M4	4.2 - 4.5	7.7 – 7.9	0.8 – 1.2	0.356	0.111
293-189	M5	5.2 – 5.5	8.7 – 8.9	0.8 – 1.2	0.410	0.127
293-195	M6	6.2 – 6.5	9.7 – 9.9	0.8 – 1.2	0.657	0.204
293-202	M8	8.2 – 8.5	11.7 – 11.9	0.8 – 1.2	1.52	0.471
293-218	M10	10.2 – 10.5	13.7 – 13.9	0.8 – 1.2	2.89	0.9
293-224	M12	12.2 – 12.5	15.7 – 15.9	0.8 – 1.2	4.57	1.42