

## Datasheet

### Vernier precision protractor

RS Stock number 235-7550



### Description:

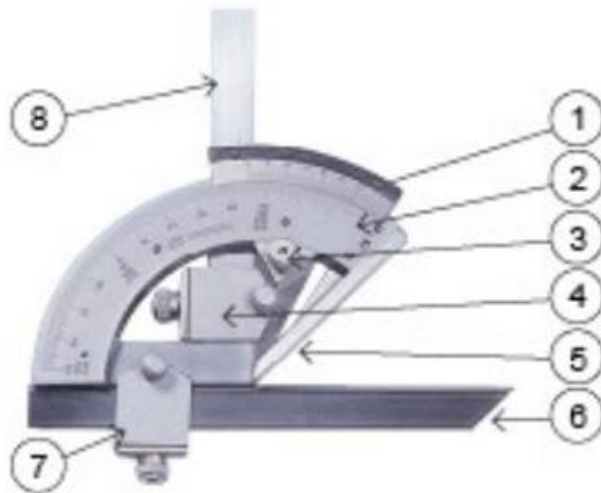
Universal precision protractor

- Provides Accurate Angle Measurements
- Measuring range 0 - 320°
- Protractor Scale: Graduated 320° in 1° increments
- Vernier Scale: Reads in 2 minute divisions
- Accuracy:  $\pm 2$  minutes
- Rack and Pinion Fine Adjustment

### Specifications:

Weight:	520g
Width:	185mm
Height:	32mm
Length:	175mm

Front View



Rear View

**Parts List:**

- 1 Vernier Scale
- 2 Main Scale
- 3 Locking Screw
- 4 Vertical Clamp
- 5 Measuring Face
- 6 Bevelled Straight Blade
- 7 Horizontal Clamp
- 8 Square Blade
- 9 Adjusting Wheel



Set-up 1

Angular Measuring Range: 0 - 50°

All accessories fitted



Set-up 2

Angular Measuring Range: 50 - 140°

Remove Square Blade from Vertical Clamp  
Replace with Bevelled Straight Blade



Set-up 3

Angular Measuring Range: 140 - 230°

Remove Horizontal Clamp and Bevelled Straight Blade



Set-up 4

Angular Measuring Range: 230 - 320°

Remove all accessories