

Datasheet

RS PRO Fixed Receptacle Female Solder Brass



RS Pro's range of Chrome plated Brass push-pull locking connectors offer exceptional quality that is found in many cutting-edge connectors, including full 360° EMC shielding and high mating life. As has become standard within the RS Pro brand you can expect high quality products but at a reasonable price. These connectors are ideal for use in medical devices, testing equipment, audio equipment and other high-end indoor applications.

Features & Benefits:

- Push-pull latching system
- Chrome plated Brass
- IP50
- 360° Screening for full EMC shielding

| Pin Number | Current Rating |
|------------|----------------|
| 2 | 5A |
| 3 | 3A |
| 4 | 2A |

Quality Standards



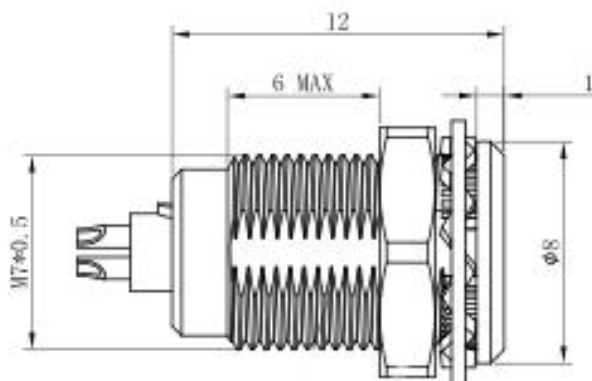
Technical

| Characteristics | Value | Standard |
|---------------------------|-------------------|----------------------|
| Endurance | >5000cycles | IEC60512-5test9a |
| Humidity | Up to 95% at 60°C | |
| Temperature range | -55°C, +250°C | |
| Resistance to vibration | 10-2000Hz,15g | IEC 60512-4 test 6d |
| Shock resistance | 100g, 6ms | IEC 60512-4 test 6c |
| Salt spray corrosion test | >96hrs | IEC 60512-6 test 11f |
| Protection index (mated) | IP50 | IEC 60529 |
| Climatical category | 55/175/21 | IEC 60068-1 |

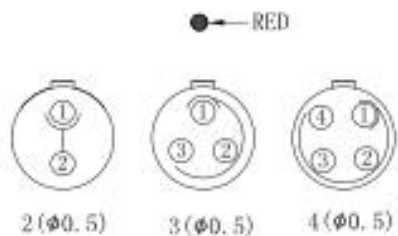
Electrical

| Characteristics | | Value | Standard |
|----------------------|----------|--------|---------------|
| Shielding efficiency | at 10MHZ | >75 dB | IEC 60619-1-3 |
| | at 1GHZ | >40 dB | IEC 60619-1-3 |

Dimensional line drawings



CONNECTOR SOLDER CUP VIEW



CUTOUT

