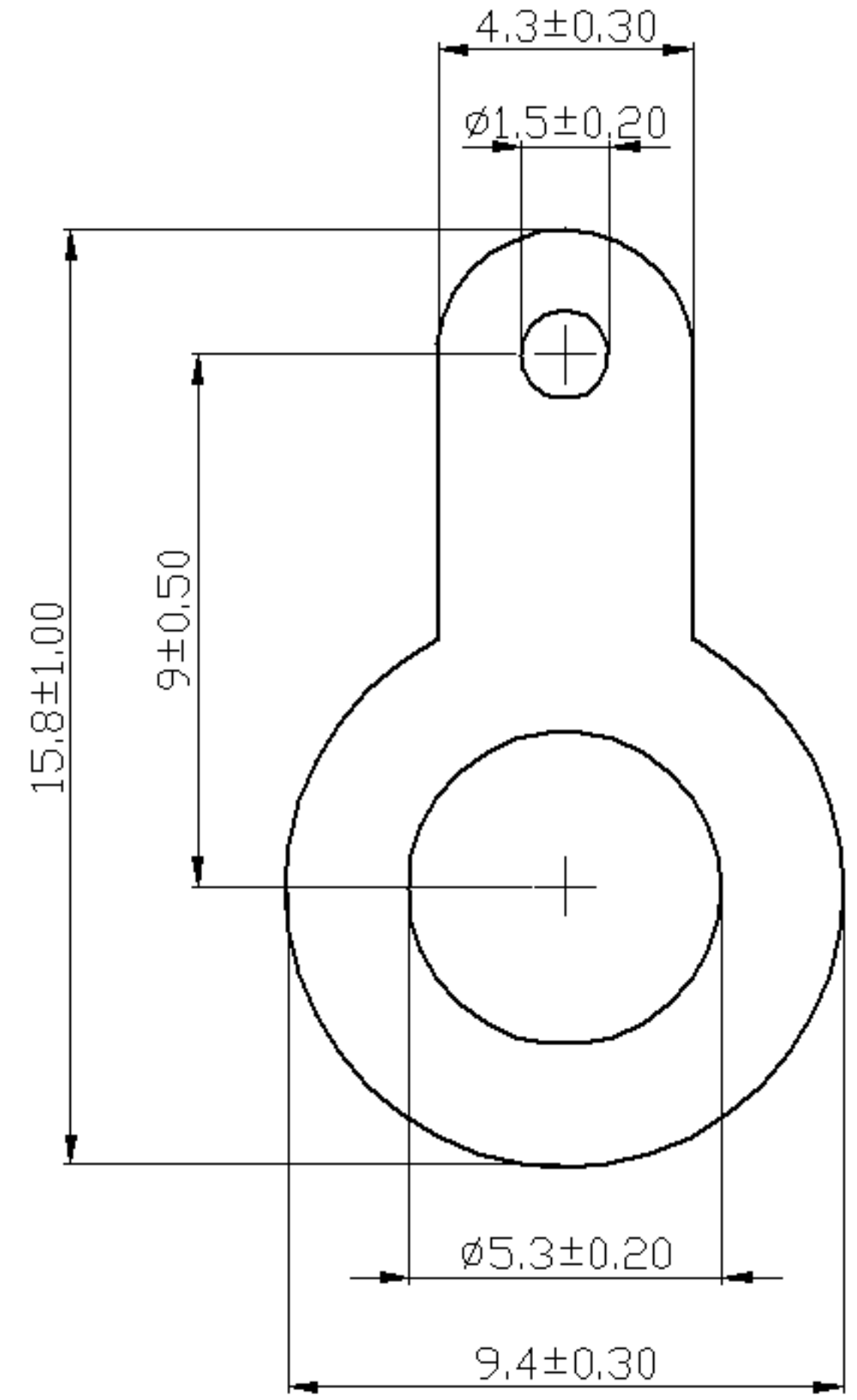


REV	DESCRIPTION	DATE
-----	-------------	------



RS NO. 1867832
 *. THICKNESS : 0.35 mm
 *. SURFACE TREATMENT : TIN PLATED

Tolerance Unless Otherwise Specified	
0 > 6 mm ± 0.20	ANGLE
6 > 18 mm ± 0.30	0° REF ±
18 > 30 mm ± 0.40	° ±
30 > 75 mm ± 0.50	° ±