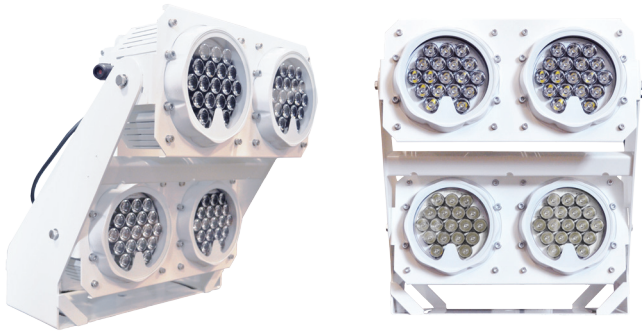


HIGH PERFORMANCE MODULAR LED FLOODLIGHT



LF90 - 4 SERIES



Key Features

- Available in 100-240VAC
- Triac Dimming Compatible
- Rapid heat-dissipating design to prolong lamp life and optimise lumen output
- Long service life of >50,000 hours L70 @ 50°C (Ta)
- Compact and lightweight design
- Safety, EMC and IEC compliance



Application

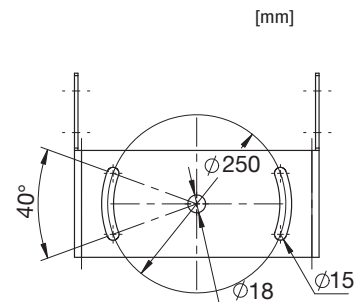
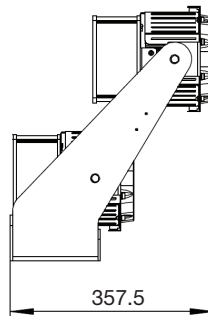
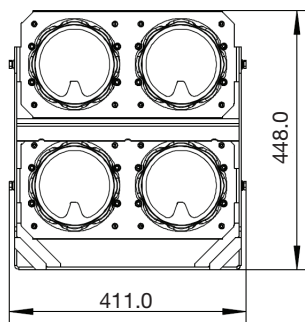
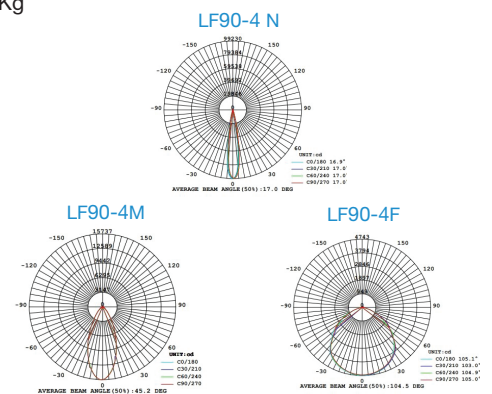
Decks, Marinas, Docks, Ports, Warehouses

Material

Marine grade aluminium alloy with powder coating, comes with 4mm tempered glass front cover

Weight

17Kg



TECHNICAL SPECIFICATIONS



Subject to Replacement based on Projection Distance:



Type	Modules	Beam Angle (50%)	Beam Angle (10%)	Power	CCT	Ambient Temp (Ta)	Lumen	CD	Projection Distance	Illum. Area (Diameter)
									@200 Lux	
LF90N04A34	4M-N	17°	32°	360W	5000K	-40°C ~ +50°C	45600lm	387200cd	44.0m	13.2m
LF90M04A34	4M-M	45°	87°	360W	5000K	-40°C ~ +50°C	43200lm	56000cd	16.7m	13.9m
LF90F04A34	4M-F	105°	148°	360W	5000K	-40°C ~ +50°C	46800lm	18000cd	9.5m	24.7m

Also available in other CCT and beam angle upon request.