

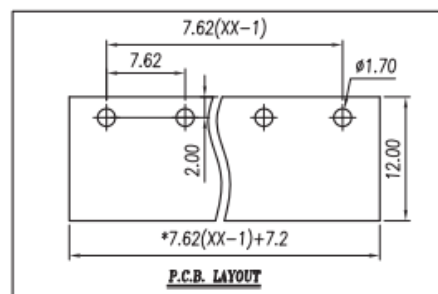
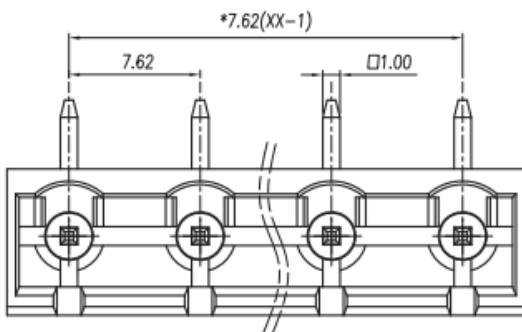
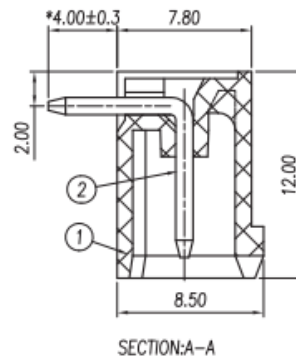
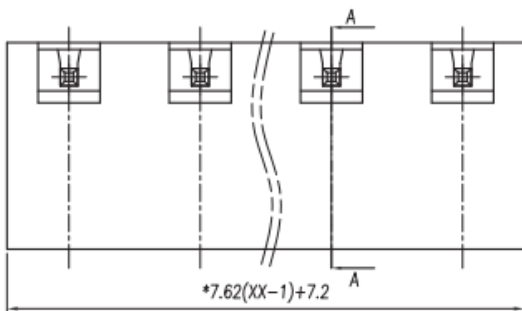
Datasheet

New 7.62mm Header Horizontal 15A 6 Way

RS Stock 874-5411



Dimensions: (mm)





Specifications

- Rated Voltage: 300V 8A
- Rated Current: 15A
- Pitch: 7.62mm
- Poles: 2p-24p
- Contact Resistance: 20mΩ
- Insulation Resistance: 500ΩM or more at DC500V
- Withstanding Voltage: AC 2000V/1 min
- Temperature Range: -40°C ~ +105°C
- RoHS Compliance

Materials

- Housing: PA66 / UL94V-0
- Pin Header: Brass / Tin Plated

Tolerances

	linear dimension					fillet	chamfer		∠ short angle sid				≡	—	□	//	⊥	
	to	over 6	over 30	over 120	over 480	all	to 6	over 6 to	to 10	over 10 to 50	over 50 to 120	to	all	to 5	over 5 to 30	over 30 to 120	over 120 to	
variable range	6	to 30	to 120	to 480														
tolerance	±0.1	±0.2	±0.3	±0.5	±0.9	±0.2	±0.5	±1	1'	30'	20'	10'	0.5	0.025	0.06	0.12	0.4	