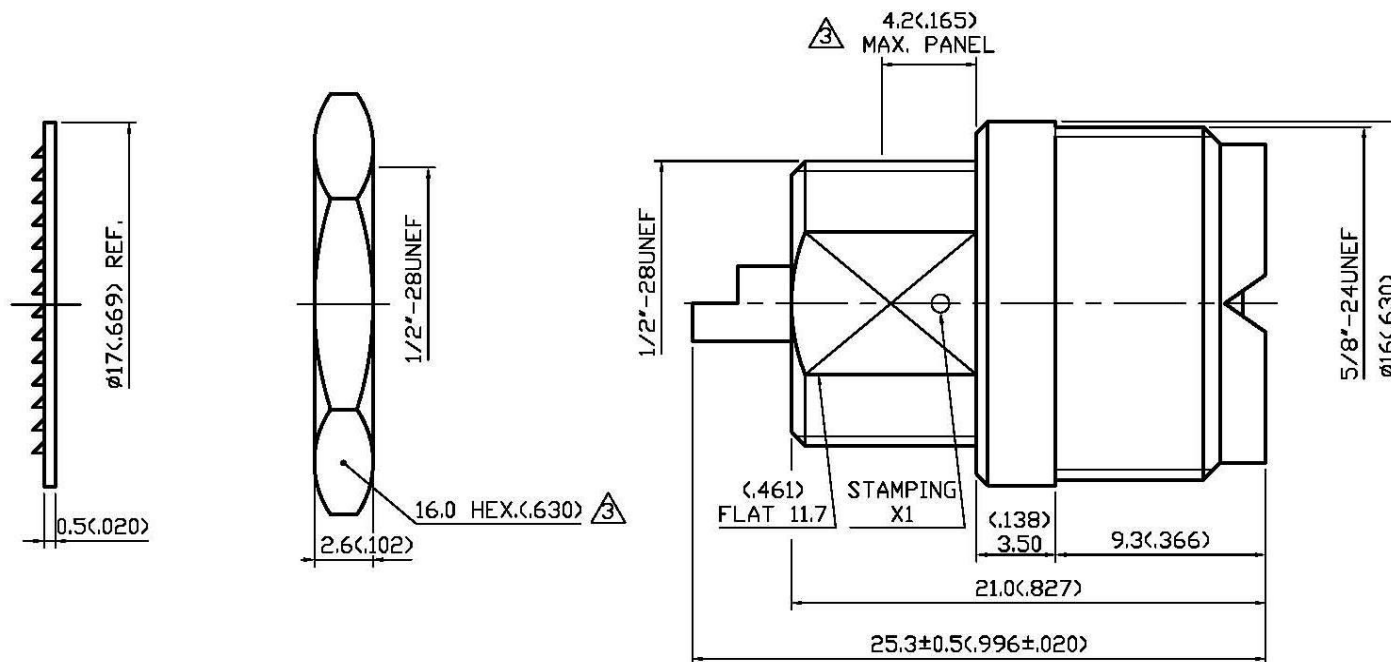


NO	DESCRIPTION	DATE
①	MODIFICATION PARTS ④	05.19.04'
②	BACKGROUND FORMAT UPDATED	05.10.11'
③	MODIFICATION PART ⑦ DEL. PROOF VOLTAGE ; $\phi 12.9$ WORKING VOLTAGE → VOLTAGE RATING ADD 4.2 MAX. PANEL H16 → 16.0 HEX.	12.17.14'



1.0 ELECTRICAL

1.1 FREQUENCY RANGE: DC-300 MHz

1.2 NOMINAL IMPEDANCE: 50 OHMS

1.3 VOLTAGE RATING: 500 VOLTS MAX ③

2.0 MATERIALS

2.1 BODIES: BRASS PER JIS-C3604

2.2 CENTER CONTACT: BERYLLIUM COPPER PER ASTM B196 UNS C17300

2.3 INSULATION: TEFLON PER ASTM D1457 AND ASTM D1710

3.0 FINISHES AND OTHERS

3.1 SEE BELOW TABLE FOR DETAILS.

4.0 ENVIRONMENTAL

4.1 OPERATING TEMPERATURE RANGE: -55°C TO $+85^{\circ} \text{C}$

NO	DESCRIPTION	MATERIAL	Q'TY	FINISH
7	SPRING WASHER	STAINLESS STEEL	1	PASSIVATED
6	INSULATION	TEFLON	1	NONE
5	BODY	BRASS	1	SILVER $70 \mu''$ MIN.
4	CENTER CONTACT	BERYLLIUM COPPER	1	SILVER $70 \mu''$ MIN.
3	INSULATION	TEFLON	1	NONE
2	NUT	BRASS	1	SILVER $70 \mu''$ MIN.
1	WASHER	STEEL	1	SILVER $70 \mu''$ MIN.



APPROVED by _____ DATE: _____

DESCRIPTION		UHF STRAIGHT BULKHEAD JACK			
製圖	DRAWN	TOLERANCE	品名	17-07-1	T.S.S
	Kristina	X ± 0.2	TITLE	\ROHS COMPLIANT <50Ω>	日期 03.03.04'
檢圖	CHECK	.XX ± 0.1	單位	DWG.NO.	17-0049
	Arc	.XXX ± 0.05	mm(in)		
認定	APPROVAL	ANGLE $\pm 5^{\circ}$	比例	SCALE	
	Angela		4:1		