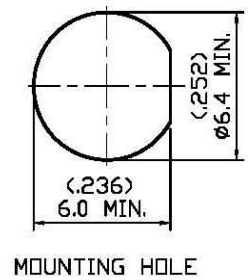
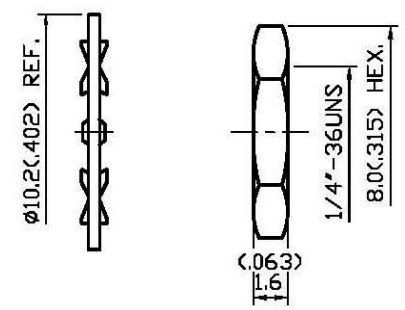
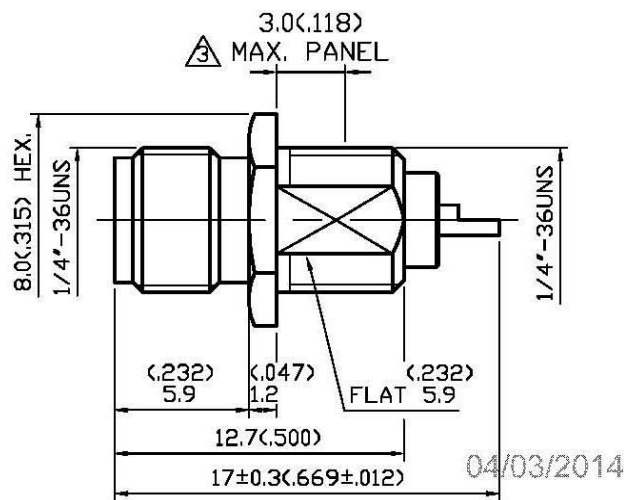


NO	DESCRIPTION	DATE
①	BACKGROUND FORMAT UPDATED	06.18.02'
②	BACKGROUND FORMAT UPDATED	08.19.08'
③	ADD 3.0 MAX. PANEL	10.05.12'
④	WORKING VOLTAGE → VOLTAGE RATING DEL PROOF VOLTAGE	04.03.14'



04/03/2014

**1.0 ELECTRICAL**

- 1.1 FREQUENCY RANGE: DC-18 GHz
- 1.2 NOMINAL IMPEDANCE: 50 OHMS
- 1.3 VOLTAGE RATING: 500 VOLTS MAX. ④
- 1.4 VSWR: 1.23 MAX.

**2.0 MATERIALS**

- 2.1 BODIES: BRASS PER JIS-C3604
- 2.2 CENTER CONTACT: BERYLLIUM COPPER PER ASTM B196 UNS C17300
- 2.3 INSULATION: TEFLON PER ASTM D1457 AND ASTM D1710

**3.0 FINISHES AND OTHERS**

- 3.1 SEE BELOW TABLE FOR DETAILS.

**4.0 MECHANICAL**

- 4.1 INTERFACE IN ACCORDANCE WITH: MIL-STD-348A

**5.0 ENVIRONMENTAL**

- 5.1 OPERATING TEMPERATURE RANGE: -65° C TO +185° C

NO	DESCRIPTION	MATERIAL	Q'TY	FINISH
5	WASHER	BRASS	1	GOLD
4	NUT	BRASS	1	GOLD
3	CENTER CONTACT	BERYLLIUM COPPER	1	GOLD 50μ" MIN.
2	INSULATION	TEFLON	1	NONE
1	BODY	BRASS	1	GOLD 3μ" MIN.



APPROVED by \_\_\_\_\_ DATE: \_\_\_\_\_

DESCRIPTION		SMA STRAIGHT BULKHEAD JACK RECEPTACLE(FRONT MOUNT)	
製圖	DRAWN Yoko	TOLERANCE .X ±0.2	品名 19-16-2 T.G.G
檢圖	CHECK Arc	.XX ±0.1	TITLE \ROHS COMPLIANT <50Ω>
認定	APPROVAL Angela	.XXX ±0.05	DATE 09.13.95'
	ANGLE ±5°	單位 mm(in)	版次 A-4
		比例 4:1	DWG.NO. 19-0119