

Hydraulic SAE Blind Flanges

Specifications:

SAE-J518/ISO 6162, Hydraulic flanged tube, pipe and hose connections, four-bolt split flange type

Material Specifications:

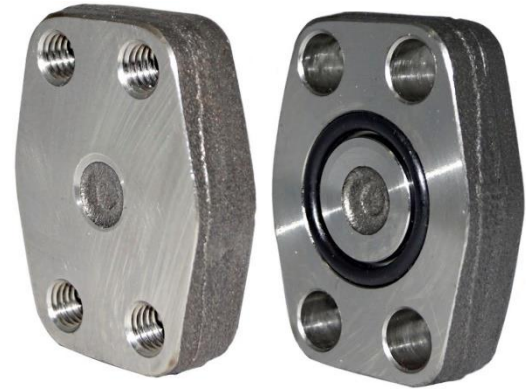
ST52.3

SS316

Size Range:

Code 61 (Series 3000): 3/8"NB – 5"NB

Code 62 (Series 6000): 3/8"NB – 3"NB



Working Pressure:

Code 61 (Series 3000): 34 – 345 Bar

Code 62 (Series 6000): 200 – 414 Bar

Temperature:

Carbon steel: -40°C - +120°C

Stainless steel: -60°C - +50°C

Working pressure for material stainless steel shall be reduced if exceed certain temperature:

40% above +50°C to < +100°C

11% above +100°C to < +200°C

20% above +200°C to < +250°C

Orings:

NBR (Standard), Viton (Optional)

Flange Screws:

Metric screws according to DIN 912-8.8 (Standard)

Metric screws according to DIN 912-10.9 (Optional)

SAE Flange Recommended Torque Values

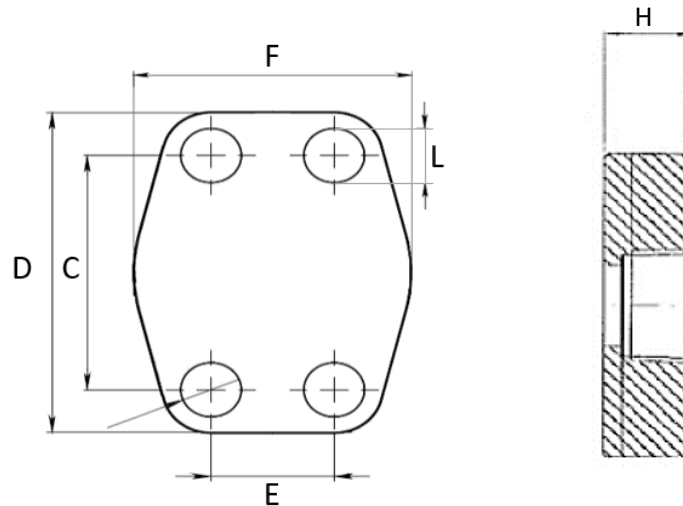
Code 61 (Series 3000)

Flange Size	Recommended Torque Range N/m
1/2"	32
3/4"	70
1"	70
1 1/4"	70
1 1/2"	130
2"	130
2 1/2"	130
3"	295
3 1/2"	295
4"	295
5"	295

Code 62 (Series 6000)

Flange Size	Recommended Torque Range N/m (+10% -0)
1/2"	32
3/4"	70
1"	130
1 1/4"	130
1 1/2"	295
2"	550
2 1/2"	550
3"	650

BLIND FLANGES



Series 3000

WP (Bar)	Size	Type	Dimensions						
			C	D	E	F	H	L	Screws
345	1/2"	AFC080	38.10	56	17.48	46	16	9	M8 x 30
345	3/4"	AFC100	47.63	65	22.23	50	16	11	M10 x 35
345	1"	AFC102	52.37	70	26.19	60	19	11	M10 x 35
276	1 1/4"	AFC104	58.72	79	30.18	68	18	11.5	M10 x 40
207	1 1/2"	AFC106	69.85	93	35.71	78	20	13.5	M12 x 45
207	2"	AFC108	77.77	102	42.88	90	20	13.5	M12 x 45
172	2 1/2"	AFC110	88.90	114	50.80	105	20	13.5	M12 x 45
138	3"	AFC112	106.38	134	61.93	124	24	17.5	M16 x 50
34	3 1/2"	AFC114	120.65	152	69.85	136	22	17.5	M16 x 50
34	4"	AFC116	130.18	162	77.77	146	25	17.5	M16 x 50
34	5"	AFC118	152.40	190	92.08	170	28	17.5	M16 x 55

Series 6000

WP (Bar)	Size	Type	Dimensions						
			C	D	E	F	H	L	Screws
414	1/2"	AFC401	40.49	56	18.24	48	16	9	M8 x 30
414	3/4"	AFC402	50.80	71	23.80	60	19	11	M10 x 35
414	1"	AFC403	57.15	81	27.76	70	24	13	M12 x 45
414	1 1/4"	AFC404	66.68	95	31.75	78	27	15	M14 x 45
414	1 1/4"	AFC404L13	66.68	95	31.75	78	27	13.5	M12 x 45
414	1 1/2"	AFC405	79.38	112	36.50	94	30	17	M16 x 55
414	2"	AFC406	96.82	134	44.45	114	30	21	M20 x 60
414	2 1/2"	AFC507	123.80	180	58.70	152	45	26	M24 x 80
414	3"	AFC508	152.40	208	71.40	178	55	33	M30 x 100

Designation for Order:

Counter-Flanges
(Flat side)

ST52.3	GFC...
SS316	GFCX...

Flanges
(Oring side)

ST52.3	AFC...
SS316	AFCX...