

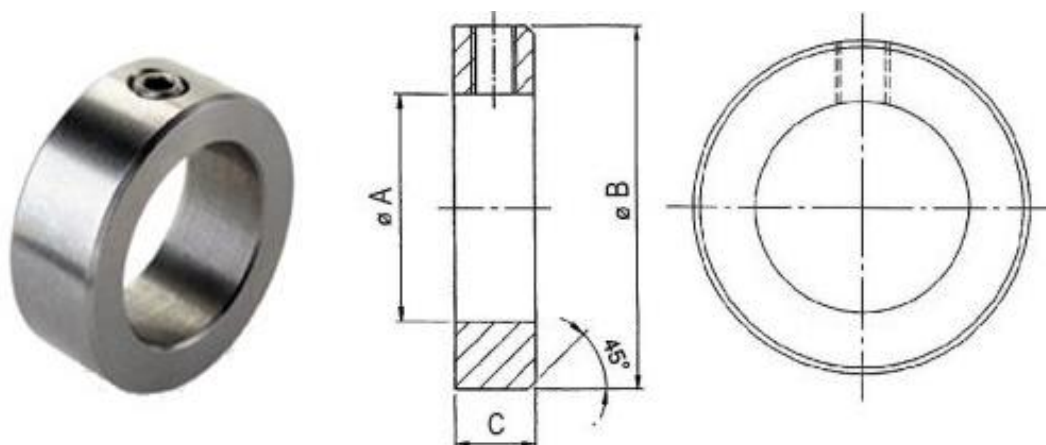


Product Datasheet

ENGLISH

RS Metric Bore Shaft Collars

CABU type manufactured from En8 zinc plated steel and supplied with setscrews



Tolerances in mm	
Diameter A (4mm - 13mm)	+ 0.01mm / + 0.06mm
Diameter A (14mm - 80mm)	+ 0.01mm / + 0.08mm
Diameter B	+ 0.127 / - 0.000mm
Length C	+ 0.12mm / - 0.12mm

RS	Description	MPN	Bore A	Diameter B	Width C	Setscrew D
8236932	Steel Shaft Collar, One piece, Bore 4mm	CABU04Z	4	8	5	M2.5
8236935	Steel Shaft Collar, One Piece, Bore 5mm	CABU05Z	5	10	6	M3
8236939	Steel Shaft Collar, One Piece, Bore 6mm	CABU06Z	6	12	8	M4
8236948	Steel Shaft Collar, One Piece, Bore 7mm	CABU07Z	7	12	8	M4
8236941	Steel Shaft Collar, One Piece, Bore 8mm	CABU08Z	8	16	8	M4
8236945	Steel Shaft Collar, One Piece, Bore 9mm	CABU09Z	9	18	10	M5
8236954	Steel Shaft Collar, One Piece, Bore 10mm	CABU10Z	10	20	10	M5
8236957	Steel Shaft Collar, One Piece, Bore 12mm	CABU12Z	12	22	12	M6
8236951	Steel Shaft Collar, One Piece, Bore 14mm	CABU14Z	14	25	12	M6
8236960	Steel Shaft Collar, One Piece, Bore 15mm	CABU15Z	15	25	12	M6
8236963	Steel Shaft Collar, One Piece, Bore 16mm	CABU16Z	16	28	12	M6
8236967	Steel Shaft Collar, One Piece, Bore 18mm	CABU18Z	18	32	14	M6
8236976	Steel Shaft Collar, One Piece, Bore 20mm	CABU20Z	20	32	14	M6
8236979	Steel Shaft Collar, One Piece, Bore 22mm	CABU22Z	22	36	14	M6
8236973	Steel Shaft Collar, One Piece, Bore 24mm	CABU24Z	24	40	16	M8
8236982	Steel Shaft Collar, One Piece, Bore 25mm	CABU25Z	25	40	16	M8
8236985	Steel Shaft Collar, One Piece, Bore 28mm	CABU28Z	28	45	16	M8
8236989	Steel Shaft Collar, One Piece, Bore 30mm	CABU30Z	30	45	16	M8
8236998	Steel Shaft Collar, One Piece, Bore 32mm	CABU32Z	32	50	16	M8
8236991	Steel Shaft Collar, One Piece, Bore 35mm	CABU35Z	35	56	16	M8
8236995	Steel Shaft Collar, One Piece, Bore 40mm	CABU40Z	40	63	18	M10