

Thick Film Chip Resistors

0201

multicomp PRO

**RoHS
Compliant**



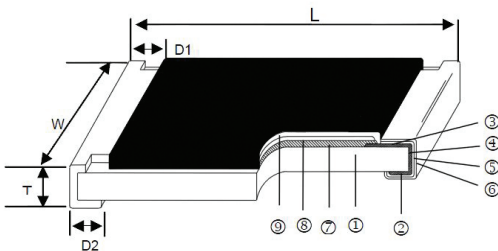
Features:

- Small size and light weight
- Highly reliable multilayer electrode construction
- Compatible with all soldering process

Applications:

- Telecommunication Equipments
- Radio and Tape Recorders, TV Tuners
- Digital Cameras, Watches, Pocket Calculators
- Automotive Industry
- Computers, Instruments
- Medical and Military Equipment

Construction:



| | | | | | |
|---|-----------------------|---|-------------------------|---|---------------------------------------|
| 1 | Alumina Substrate | 4 | Edge Electrode (NiCr) | 7 | Resistor Layer (RuO ₂ /Ag) |
| 2 | Bottom Electrode (Ag) | 5 | Barrier Layer (Ni) | 8 | Primary Overcoat (Glass) |
| 3 | Top Electrode (Ag-Pd) | 6 | External Electrode (Sn) | 9 | Secondary Overcoat (Epoxy) |

Dimensions

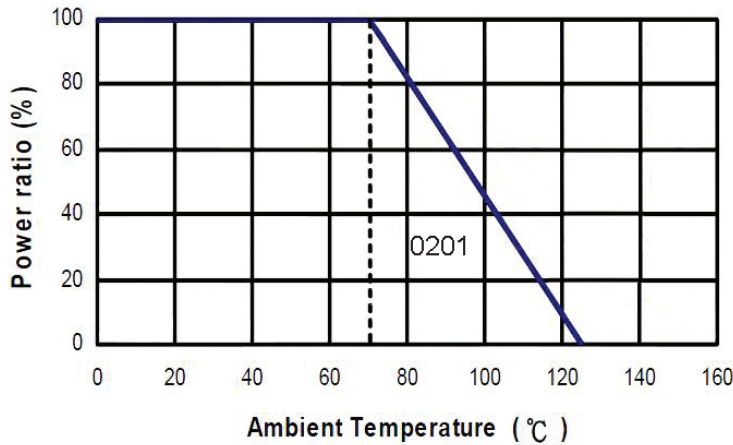
Unit: mm

| Size (Inch) | L | W | T | D1 | D2 | Weight (g) (1,000pcs) |
|-------------|-----------|-----------|-----------|-----------|-----------|-----------------------|
| 0201 | 0.60±0.03 | 0.30±0.03 | 0.23±0.03 | 0.15±0.05 | 0.15±0.05 | 0.150 |

Newark.com/multicomp-pro
Farnell.com/multicomp-pro
Element14.com/multicomp-pro

multicomp PRO

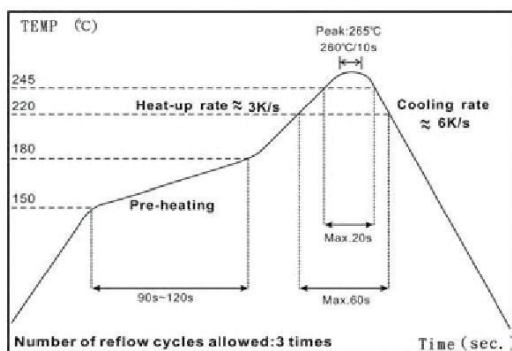
Derating Curve



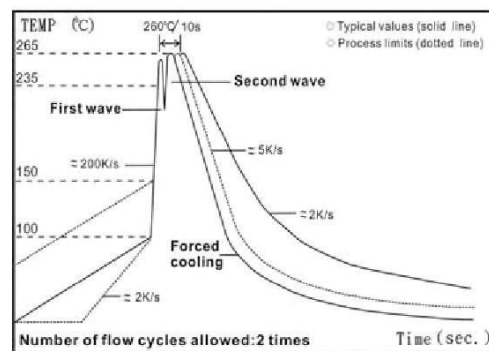
Standard Electrical Specifications

| Item Type | Power Rating at 70°C Jumper Rated Current | Operating Temp. Range | Max. Operating Voltage | Max. Overload Voltage | Resistance Range | | TCR (PPM/°C) |
|--------------|--|-----------------------------|------------------------------|-----------------------------|------------------|-----|-----------------|
| | | | | | ±1% | ±5% | |
| 0201 | 1/20W | -55 ~ +125°C | 25V | 50V | 1Ω - 10MΩ | | ±200 |
| Jumper | 1A | | | | 0Ω (<50mΩ) | | - |

Soldering Condition



IR Reflow Soldering



Wave Soldering (Flow Soldering)

- (1) Time of IR reflow soldering at maximum temperature point 260°C : 10s
- (2) Time of wave soldering at maximum temperature point 260°C : 10s
- (3) Time of soldering iron at maximum temperature point 410°C : 5s

Thick Film Chip Resistors

0201

multicomp PRO

Environmental Characteristics

| Item | Requirement | | | Test Method |
|--|--|---------------|--------|---|
| | ±1% and Below | ±5% | Jumper | |
| Temperature Coefficient of Resistance (T.C.R.) | As Spec. | | | JIS-C-5201-1 4.8 IEC-60115-1 4.8 -55°C~+125°C, 25°C is the reference temperature |
| Short Time Overload | ±(1.0%+0.05Ω) | ±(2.0%+0.05Ω) | <50mΩ | JIS-C-5201-1 4.13 IEC-60115-1 4.13 RCWV*2.5 or Max. overload voltage for 5 seconds, 2 seconds for high power series |
| Insulation Resistance | ≥10G | | | JIS-C-5201-1 4.6 IEC-60115-1 4.6 Max. overload voltage for 1 minute |
| Endurance | ±(1.0%+0.10Ω) | ±(2.0%+0.10Ω) | <100mΩ | JIS-C-5201-1 4.25 IEC-60115-1 4.25.1 70±2°C, Max. working voltage for 1000 hrs with 1.5 hrs "ON" and 0.5 hrs "OFF" |
| Damp Heat with Load | ±(1.0%+0.10Ω) | ±(2.0%+0.10Ω) | <100mΩ | JIS-C-5201-1 4.24 40±2°C, 90~95% R.H. Max. working voltage for 1000 hrs with 1.5 hrs "ON" and 0.5 hrs "OFF" |
| Dry Heat | ±(1.0%+0.05Ω) | ±(1.5%+0.10Ω) | <50mΩ | JIS-C-5201-1 4.23 IEC-60115-1 2.23.2 at +125/+155°C for 1000 hrs |
| Bending Strength | ±(1.0%+0.05Ω) | ±(1.0%+0.05Ω) | <50mΩ | JIS-C-5201-1 4.33 IEC-60115-1 4.33 Bending once for 5 seconds 2010, 2512 sizes : 2mm Other sizes : 3mm |
| Solderability | 95% min. coverage | | | JIS-C-5201-1 4.17 IEC-60115-1 4.17 245 ±5°C for 3 seconds |
| Resistance to Soldering Heat | ±(0.5%+0.05Ω) | ±(1.0%+0.05Ω) | <50mΩ | JIS-C-5201-1 4.18 IEC-60115-1 4.18 260 ±5°C for 10 seconds |
| Voltage Proof | No breakdown or flashover | | | JIS-C-5201-1 4.7 IEC-60115-1 4.7 1.42 times RCWV (RMS) for 1 minute |
| Leaching | Individual leaching area ≤ 5% Total leaching area ≤ 10% | | | JIS-C-5201-1 4.18 IEC-60068-2-58 8.2.1 260 ±5°C for 30 seconds |
| Rapid Change of Temperature | ±(0.5%+0.05Ω) | ±(1.0%+0.05Ω) | <50mΩ | JIS-C-5201-1 4.18 IEC-60115-1 4.18 -55°C to +125/+155°C, 5 cycles |

Storage Temperature: 25±3°C; Humidity < 80%RH

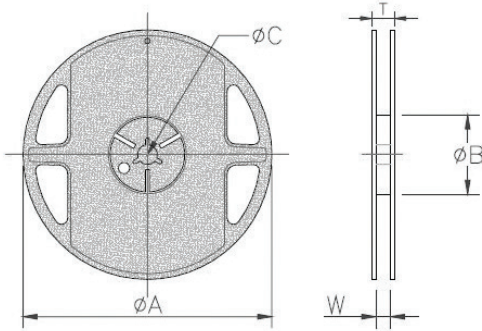
Thick Film Chip Resistors

0201

multicomp PRO

Packaging

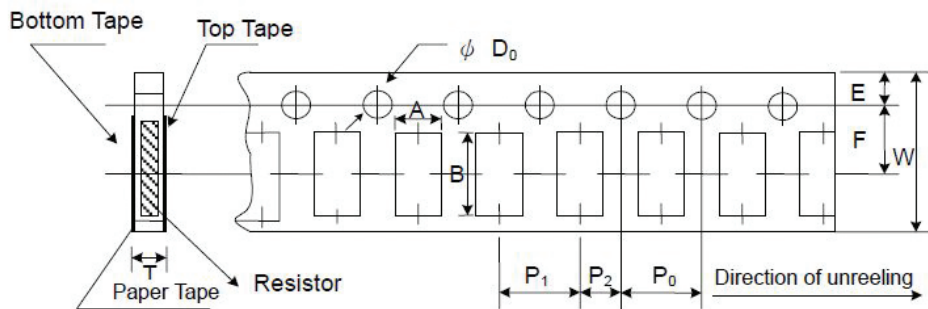
Reel Specifications & Packaging Quantity



Unit: mm

| Type | Packaging Quantity | Tape Width | Reel Diameter | ΦA | ΦB | ΦC | W | T |
|------|--------------------|------------|---------------|-----------|---------------------|----------|---------|----------|
| 0201 | Paper 15K to 20K | 8mm | 7 inch | 178.5±1.5 | 60 ^{+1/-0} | 13.0±0.2 | 9.0±0.5 | 12.5±0.5 |

Paper Tape Specifications



Unit: mm

| Type | A | B | W | E | F | P_0 | P_1 | P_2 | ΦD_0 | T |
|------|-----------|-----------|---------|----------|----------|---------|--------|--------|-------------|----------|
| 0201 | 0.38±0.05 | 0.68±0.05 | 8 ± 0.2 | 1.75±0.1 | 3.5±0.05 | 4 ± 0.1 | 2±0.05 | 2±0.05 | 1.5+0.1, -0 | 0.42±0.2 |

Part Number Table

| Description | Part Number |
|--------------------------------------|-------------|
| Resistor, 1K, 0.05W, 1%, 0201, Reel | MCRE000140 |
| Resistor, 1K, 0.05W, 1%, 0201 | MCRE000140 |
| Resistor, 1M, 0.05W, 1%, 0201, Reel | MCRE000212 |
| Resistor, 1M, 0.05W, 1%, 0201 | MCRE000212 |
| Resistor, 1R, 0.05W, 1%, 0201, Reel | MCRE000220 |
| Resistor, 1R, 0.05W, 1%, 0201 | MCRE000220 |
| Resistor, 1K1, 0.05W, 1%, 0201, Reel | MCRE000141 |
| Resistor, 1K1, 0.05W, 1%, 0201 | MCRE000141 |

| Description | Part Number |
|--------------------------------------|-------------|
| Resistor, 1M1, 0.05W, 1%, 0201, Reel | MCRE000239 |
| Resistor, 1M1, 0.05W, 1%, 0201 | MCRE000239 |
| Resistor, 1R1, 0.05W, 1%, 0201, Reel | MCRE000221 |
| Resistor, 1R1, 0.05W, 1%, 0201 | MCRE000221 |
| Resistor, 1K2, 0.05W, 1%, 0201, Reel | MCRE000142 |
| Resistor, 1K2, 0.05W, 1%, 0201 | MCRE000142 |
| Resistor, 1M2, 0.05W, 1%, 0201, Reel | MCRE000240 |
| Resistor, 1M2, 0.05W, 1%, 0201 | MCRE000240 |

Newark.com/multicomp-pro
 Farnell.com/multicomp-pro
 Element14.com/multicomp-pro

multicomp PRO

Thick Film Chip Resistors

0201

multicomp PRO

| Description | Part Number |
|---------------------------------------|-------------|
| Resistor, 1R2, 0.05W, 1%, 0201, Reel | MCRE000222 |
| Resistor, 1R2, 0.05W, 1%, 0201 | MCRE000222 |
| Resistor, 1K3, 0.05W, 1%, 0201, Reel | MCRE000143 |
| Resistor, 1K3, 0.05W, 1%, 0201 | MCRE000143 |
| Resistor, 1M3, 0.05W, 1%, 0201, Reel | MCRE000241 |
| Resistor, 1M3, 0.05W, 1%, 0201 | MCRE000241 |
| Resistor, 1R3, 0.05W, 1%, 0201, Reel | MCRE000223 |
| Resistor, 1R3, 0.05W, 1%, 0201 | MCRE000223 |
| Resistor, 1K5, 0.05W, 1%, 0201, Reel | MCRE000144 |
| Resistor, 1K5, 0.05W, 1%, 0201 | MCRE000144 |
| Resistor, 1M5, 0.05W, 1%, 0201, Reel | MCRE000242 |
| Resistor, 1M5, 0.05W, 1%, 0201 | MCRE000242 |
| Resistor, 1R5, 0.05W, 1%, 0201, Reel | MCRE000087 |
| Resistor, 1R5, 0.05W, 1%, 0201 | MCRE000087 |
| Resistor, 1K6, 0.05W, 1%, 0201, Reel | MCRE000145 |
| Resistor, 1K6, 0.05W, 1%, 0201 | MCRE000145 |
| Resistor, 1M6, 0.05W, 1%, 0201, Reel | MCRE000243 |
| Resistor, 1M6, 0.05W, 1%, 0201 | MCRE000243 |
| Resistor, 1R6, 0.05W, 1%, 0201, Reel | MCRE000224 |
| Resistor, 1R6, 0.05W, 1%, 0201 | MCRE000224 |
| Resistor, 1K8, 0.05W, 1%, 0201, Reel | MCRE000146 |
| Resistor, 1K8, 0.05W, 1%, 0201 | MCRE000146 |
| Resistor, 1M8, 0.05W, 1%, 0201, Reel | MCRE000244 |
| Resistor, 1M8, 0.05W, 1%, 0201 | MCRE000244 |
| Resistor, 1R8, 0.05W, 1%, 0201, Reel | MCRE000225 |
| Resistor, 1R8, 0.05W, 1%, 0201 | MCRE000225 |
| Resistor, 10K, 0.05W, 1%, 0201, Reel | MCRE000164 |
| Resistor, 10K, 0.05W, 1%, 0201 | MCRE000164 |
| Resistor, 10M, 0.05W, 1%, 0201, Reel | MCRE000262 |
| Resistor, 10M, 0.05W, 1%, 0201 | MCRE000262 |
| Resistor, 10R, 0.05W, 1%, 0201, Reel | MCRE000092 |
| Resistor, 10R, 0.05W, 1%, 0201 | MCRE000092 |
| Resistor, 100K, 0.05W, 1%, 0201, Reel | MCRE000188 |
| Resistor, 100K, 0.05W, 1%, 0201 | MCRE000188 |
| Resistor, 100R, 0.05W, 1%, 0201, Reel | MCRE000116 |
| Resistor, 100R, 0.05W, 1%, 0201 | MCRE000116 |

| Description | Part Number |
|---------------------------------------|-------------|
| Resistor, 11K, 0.05W, 1%, 0201, Reel | MCRE000165 |
| Resistor, 11K, 0.05W, 1%, 0201 | MCRE000165 |
| Resistor, 11R, 0.05W, 1%, 0201, Reel | MCRE000093 |
| Resistor, 11R, 0.05W, 1%, 0201 | MCRE000093 |
| Resistor, 110K, 0.05W, 1%, 0201, Reel | MCRE000189 |
| Resistor, 110K, 0.05W, 1%, 0201 | MCRE000189 |
| Resistor, 110R, 0.05W, 1%, 0201, Reel | MCRE000117 |
| Resistor, 110R, 0.05W, 1%, 0201 | MCRE000117 |
| Resistor, 12K, 0.05W, 1%, 0201, Reel | MCRE000166 |
| Resistor, 12K, 0.05W, 1%, 0201 | MCRE000166 |
| Resistor, 12R, 0.05W, 1%, 0201, Reel | MCRE000094 |
| Resistor, 12R, 0.05W, 1%, 0201 | MCRE000094 |
| Resistor, 120K, 0.05W, 1%, 0201, Reel | MCRE000190 |
| Resistor, 120K, 0.05W, 1%, 0201 | MCRE000190 |
| Resistor, 120R, 0.05W, 1%, 0201, Reel | MCRE000118 |
| Resistor, 120R, 0.05W, 1%, 0201 | MCRE000118 |
| Resistor, 13K, 0.05W, 1%, 0201, Reel | MCRE000167 |
| Resistor, 13K, 0.05W, 1%, 0201 | MCRE000167 |
| Resistor, 13R, 0.05W, 1%, 0201, Reel | MCRE000095 |
| Resistor, 13R, 0.05W, 1%, 0201 | MCRE000095 |
| Resistor, 130K, 0.05W, 1%, 0201, Reel | MCRE000191 |
| Resistor, 130K, 0.05W, 1%, 0201 | MCRE000191 |
| Resistor, 130R, 0.05W, 1%, 0201, Reel | MCRE000119 |
| Resistor, 130R, 0.05W, 1%, 0201 | MCRE000119 |
| Resistor, 15K, 0.05W, 1%, 0201, Reel | MCRE000168 |
| Resistor, 15K, 0.05W, 1%, 0201 | MCRE000168 |
| Resistor, 15R, 0.05W, 1%, 0201, Reel | MCRE000096 |
| Resistor, 15R, 0.05W, 1%, 0201 | MCRE000096 |
| Resistor, 150K, 0.05W, 1%, 0201, Reel | MCRE000192 |
| Resistor, 150K, 0.05W, 1%, 0201 | MCRE000192 |
| Resistor, 150R, 0.05W, 1%, 0201, Reel | MCRE000120 |
| Resistor, 150R, 0.05W, 1%, 0201 | MCRE000120 |
| Resistor, 16K, 0.05W, 1%, 0201, Reel | MCRE000169 |
| Resistor, 16K, 0.05W, 1%, 0201 | MCRE000169 |
| Resistor, 16R, 0.05W, 1%, 0201, Reel | MCRE000097 |
| Resistor, 16R, 0.05W, 1%, 0201 | MCRE000097 |

Newark.com/multicomp-pro
 Farnell.com/multicomp-pro
 Element14.com/multicomp-pro

multicomp PRO

Thick Film Chip Resistors

0201

multicomp PRO

| Description | Part Number |
|---------------------------------------|-------------|
| Resistor, 160K, 0.05W, 1%, 0201, Reel | MCRE000193 |
| Resistor, 160K, 0.05W, 1%, 0201 | MCRE000193 |
| Resistor, 160R, 0.05W, 1%, 0201, Reel | MCRE000121 |
| Resistor, 160R, 0.05W, 1%, 0201 | MCRE000121 |
| Resistor, 18K, 0.05W, 1%, 0201, Reel | MCRE000170 |
| Resistor, 18K, 0.05W, 1%, 0201 | MCRE000170 |
| Resistor, 18R, 0.05W, 1%, 0201, Reel | MCRE000098 |
| Resistor, 18R, 0.05W, 1%, 0201 | MCRE000098 |
| Resistor, 180K, 0.05W, 1%, 0201, Reel | MCRE000194 |
| Resistor, 180K, 0.05W, 1%, 0201 | MCRE000194 |
| Resistor, 180R, 0.05W, 1%, 0201, Reel | MCRE000122 |
| Resistor, 180R, 0.05W, 1%, 0201 | MCRE000122 |
| Resistor, 2K, 0.05W, 1%, 0201, Reel | MCRE000147 |
| Resistor, 2K, 0.05W, 1%, 0201 | MCRE000147 |
| Resistor, 2M, 0.05W, 1%, 0201, Reel | MCRE000245 |
| Resistor, 2M, 0.05W, 1%, 0201 | MCRE000245 |
| Resistor, 2R, 0.05W, 1%, 0201, Reel | MCRE000226 |
| Resistor, 2R, 0.05W, 1%, 0201 | MCRE000226 |
| Resistor, 2K2, 0.05W, 1%, 0201, Reel | MCRE000148 |
| Resistor, 2K2, 0.05W, 1%, 0201, Reel | MCRE000149 |
| Resistor, 2K2, 0.05W, 1%, 0201 | MCRE000148 |
| Resistor, 2M2, 0.05W, 1%, 0201, Reel | MCRE000246 |
| Resistor, 2M2, 0.05W, 1%, 0201, Reel | MCRE000247 |
| Resistor, 2M2, 0.05W, 1%, 0201 | MCRE000246 |
| Resistor, 2R2, 0.05W, 1%, 0201, Reel | MCRE000088 |
| Resistor, 2R2, 0.05W, 1%, 0201 | MCRE000088 |
| Resistor, 2K4, 0.05W, 1%, 0201 | MCRE000149 |
| Resistor, 2M4, 0.05W, 1%, 0201 | MCRE000247 |
| Resistor, 2R4, 0.05W, 1%, 0201, Reel | MCRE000227 |
| Resistor, 2R4, 0.05W, 1%, 0201 | MCRE000227 |
| Resistor, 2K7, 0.05W, 1%, 0201, Reel | MCRE000150 |
| Resistor, 2K7, 0.05W, 1%, 0201 | MCRE000150 |
| Resistor, 2M7, 0.05W, 1%, 0201, Reel | MCRE000248 |
| Resistor, 2M7, 0.05W, 1%, 0201 | MCRE000248 |
| Resistor, 2R7, 0.05W, 1%, 0201, Reel | MCRE000228 |
| Resistor, 2R7, 0.05W, 1%, 0201 | MCRE000228 |

| Description | Part Number |
|---------------------------------------|-------------|
| Resistor, 20K, 0.05W, 1%, 0201, Reel | MCRE000171 |
| Resistor, 20K, 0.05W, 1%, 0201 | MCRE000171 |
| Resistor, 20R, 0.05W, 1%, 0201, Reel | MCRE000099 |
| Resistor, 20R, 0.05W, 1%, 0201 | MCRE000099 |
| Resistor, 200K, 0.05W, 1%, 0201, Reel | MCRE000195 |
| Resistor, 200K, 0.05W, 1%, 0201 | MCRE000195 |
| Resistor, 200R, 0.05W, 1%, 0201, Reel | MCRE000123 |
| Resistor, 200R, 0.05W, 1%, 0201 | MCRE000123 |
| Resistor, 22K, 0.05W, 1%, 0201, Reel | MCRE000172 |
| Resistor, 22K, 0.05W, 1%, 0201 | MCRE000172 |
| Resistor, 22R, 0.05W, 1%, 0201, Reel | MCRE000100 |
| Resistor, 22R, 0.05W, 1%, 0201 | MCRE000100 |
| Resistor, 220K, 0.05W, 1%, 0201, Reel | MCRE000196 |
| Resistor, 220K, 0.05W, 1%, 0201 | MCRE000196 |
| Resistor, 220R, 0.05W, 1%, 0201, Reel | MCRE000124 |
| Resistor, 220R, 0.05W, 1%, 0201 | MCRE000124 |
| Resistor, 24K, 0.05W, 1%, 0201, Reel | MCRE000173 |
| Resistor, 24K, 0.05W, 1%, 0201 | MCRE000173 |
| Resistor, 24R, 0.05W, 1%, 0201, Reel | MCRE000101 |
| Resistor, 24R, 0.05W, 1%, 0201 | MCRE000101 |
| Resistor, 240K, 0.05W, 1%, 0201, Reel | MCRE000197 |
| Resistor, 240K, 0.05W, 1%, 0201 | MCRE000197 |
| Resistor, 240R, 0.05W, 1%, 0201, Reel | MCRE000125 |
| Resistor, 240R, 0.05W, 1%, 0201 | MCRE000125 |
| Resistor, 27K, 0.05W, 1%, 0201, Reel | MCRE000174 |
| Resistor, 27K, 0.05W, 1%, 0201 | MCRE000174 |
| Resistor, 27R, 0.05W, 1%, 0201, Reel | MCRE000102 |
| Resistor, 27R, 0.05W, 1%, 0201 | MCRE000102 |
| Resistor, 270K, 0.05W, 1%, 0201, Reel | MCRE000198 |
| Resistor, 270K, 0.05W, 1%, 0201 | MCRE000198 |
| Resistor, 270R, 0.05W, 1%, 0201, Reel | MCRE000126 |
| Resistor, 270R, 0.05W, 1%, 0201 | MCRE000126 |
| Resistor, 3K, 0.05W, 1%, 0201, Reel | MCRE000151 |
| Resistor, 3K, 0.05W, 1%, 0201 | MCRE000151 |
| Resistor, 3M, 0.05W, 1%, 0201, Reel | MCRE000249 |
| Resistor, 3M, 0.05W, 1%, 0201 | MCRE000249 |

Newark.com/multicomp-pro
 Farnell.com/multicomp-pro
 Element14.com/multicomp-pro

multicomp PRO

Thick Film Chip Resistors

0201

multicomp PRO

| Description | Part Number |
|---------------------------------------|-------------|
| Resistor, 3R, 0.05W, 1%, 0201, Reel | MCRE000229 |
| Resistor, 3R, 0.05W, 1%, 0201 | MCRE000229 |
| Resistor, 3K3, 0.05W, 1%, 0201, Reel | MCRE000152 |
| Resistor, 3K3, 0.05W, 1%, 0201 | MCRE000152 |
| Resistor, 3M3, 0.05W, 1%, 0201, Reel | MCRE000250 |
| Resistor, 3M3, 0.05W, 1%, 0201 | MCRE000250 |
| Resistor, 3R3, 0.05W, 1%, 0201, Reel | MCRE000089 |
| Resistor, 3R3, 0.05W, 1%, 0201 | MCRE000089 |
| Resistor, 3K6, 0.05W, 1%, 0201, Reel | MCRE000153 |
| Resistor, 3K6, 0.05W, 1%, 0201 | MCRE000153 |
| Resistor, 3M6, 0.05W, 1%, 0201, Reel | MCRE000251 |
| Resistor, 3M6, 0.05W, 1%, 0201 | MCRE000251 |
| Resistor, 3R6, 0.05W, 1%, 0201, Reel | MCRE000230 |
| Resistor, 3R6, 0.05W, 1%, 0201 | MCRE000230 |
| Resistor, 3K9, 0.05W, 1%, 0201, Reel | MCRE000154 |
| Resistor, 3K9, 0.05W, 1%, 0201 | MCRE000154 |
| Resistor, 3M9, 0.05W, 1%, 0201, Reel | MCRE000252 |
| Resistor, 3M9, 0.05W, 1%, 0201 | MCRE000252 |
| Resistor, 3R9, 0.05W, 1%, 0201, Reel | MCRE000231 |
| Resistor, 3R9, 0.05W, 1%, 0201 | MCRE000231 |
| Resistor, 30K, 0.05W, 1%, 0201, Reel | MCRE000175 |
| Resistor, 30K, 0.05W, 1%, 0201 | MCRE000175 |
| Resistor, 30R, 0.05W, 1%, 0201, Reel | MCRE000103 |
| Resistor, 30R, 0.05W, 1%, 0201 | MCRE000103 |
| Resistor, 300K, 0.05W, 1%, 0201, Reel | MCRE000199 |
| Resistor, 300K, 0.05W, 1%, 0201 | MCRE000199 |
| Resistor, 300R, 0.05W, 1%, 0201, Reel | MCRE000127 |
| Resistor, 300R, 0.05W, 1%, 0201 | MCRE000127 |
| Resistor, 33K, 0.05W, 1%, 0201, Reel | MCRE000176 |
| Resistor, 33K, 0.05W, 1%, 0201 | MCRE000176 |
| Resistor, 33R, 0.05W, 1%, 0201, Reel | MCRE000104 |
| Resistor, 33R, 0.05W, 1%, 0201 | MCRE000104 |
| Resistor, 330K, 0.05W, 1%, 0201, Reel | MCRE000200 |
| Resistor, 330K, 0.05W, 1%, 0201 | MCRE000200 |
| Resistor, 330R, 0.05W, 1%, 0201, Reel | MCRE000128 |
| Resistor, 330R, 0.05W, 1%, 0201 | MCRE000128 |

| Description | Part Number |
|---------------------------------------|-------------|
| Resistor, 36K, 0.05W, 1%, 0201, Reel | MCRE000177 |
| Resistor, 36K, 0.05W, 1%, 0201 | MCRE000177 |
| Resistor, 36R, 0.05W, 1%, 0201, Reel | MCRE000105 |
| Resistor, 36R, 0.05W, 1%, 0201 | MCRE000105 |
| Resistor, 360K, 0.05W, 1%, 0201, Reel | MCRE000201 |
| Resistor, 360K, 0.05W, 1%, 0201 | MCRE000201 |
| Resistor, 360R, 0.05W, 1%, 0201, Reel | MCRE000129 |
| Resistor, 360R, 0.05W, 1%, 0201 | MCRE000129 |
| Resistor, 39K, 0.05W, 1%, 0201, Reel | MCRE000178 |
| Resistor, 39K, 0.05W, 1%, 0201 | MCRE000178 |
| Resistor, 39R, 0.05W, 1%, 0201, Reel | MCRE000106 |
| Resistor, 39R, 0.05W, 1%, 0201 | MCRE000106 |
| Resistor, 390K, 0.05W, 1%, 0201, Reel | MCRE000202 |
| Resistor, 390K, 0.05W, 1%, 0201 | MCRE000202 |
| Resistor, 390R, 0.05W, 1%, 0201, Reel | MCRE000130 |
| Resistor, 390R, 0.05W, 1%, 0201 | MCRE000130 |
| Resistor, 4K3, 0.05W, 1%, 0201, Reel | MCRE000155 |
| Resistor, 4K3, 0.05W, 1%, 0201 | MCRE000155 |
| Resistor, 4M3, 0.05W, 1%, 0201, Reel | MCRE000253 |
| Resistor, 4M3, 0.05W, 1%, 0201 | MCRE000253 |
| Resistor, 4R3, 0.05W, 1%, 0201, Reel | MCRE000232 |
| Resistor, 4R3, 0.05W, 1%, 0201 | MCRE000232 |
| Resistor, 4K7, 0.05W, 1%, 0201, Reel | MCRE000156 |
| Resistor, 4K7, 0.05W, 1%, 0201 | MCRE000156 |
| Resistor, 4M7, 0.05W, 1%, 0201, Reel | MCRE000254 |
| Resistor, 4M7, 0.05W, 1%, 0201 | MCRE000254 |
| Resistor, 4R7, 0.05W, 1%, 0201, Reel | MCRE000090 |
| Resistor, 4R7, 0.05W, 1%, 0201 | MCRE000090 |
| Resistor, 43K, 0.05W, 1%, 0201, Reel | MCRE000179 |
| Resistor, 43K, 0.05W, 1%, 0201 | MCRE000179 |
| Resistor, 43R, 0.05W, 1%, 0201, Reel | MCRE000107 |
| Resistor, 43R, 0.05W, 1%, 0201 | MCRE000107 |
| Resistor, 430K, 0.05W, 1%, 0201, Reel | MCRE000203 |
| Resistor, 430K, 0.05W, 1%, 0201 | MCRE000203 |
| Resistor, 430R, 0.05W, 1%, 0201, Reel | MCRE000131 |
| Resistor, 430R, 0.05W, 1%, 0201 | MCRE000131 |

Newark.com/multicomp-pro
 Farnell.com/multicomp-pro
 Element14.com/multicomp-pro

multicomp PRO

Thick Film Chip Resistors

0201

multicomp PRO

| Description | Part Number |
|---------------------------------------|-------------|
| Resistor, 47K, 0.05W, 1%, 0201, Reel | MCRE000180 |
| Resistor, 47K, 0.05W, 1%, 0201 | MCRE000180 |
| Resistor, 47R, 0.05W, 1%, 0201, Reel | MCRE000108 |
| Resistor, 47R, 0.05W, 1%, 0201 | MCRE000108 |
| Resistor, 470K, 0.05W, 1%, 0201, Reel | MCRE000204 |
| Resistor, 470K, 0.05W, 1%, 0201 | MCRE000204 |
| Resistor, 470R, 0.05W, 1%, 0201, Reel | MCRE000132 |
| Resistor, 470R, 0.05W, 1%, 0201 | MCRE000132 |
| Resistor, 5K1, 0.05W, 1%, 0201, Reel | MCRE000157 |
| Resistor, 5K1, 0.05W, 1%, 0201 | MCRE000157 |
| Resistor, 5M1, 0.05W, 1%, 0201, Reel | MCRE000255 |
| Resistor, 5M1, 0.05W, 1%, 0201 | MCRE000255 |
| Resistor, 5R1, 0.05W, 1%, 0201, Reel | MCRE000233 |
| Resistor, 5R1, 0.05W, 1%, 0201 | MCRE000233 |
| Resistor, 5K6, 0.05W, 1%, 0201, Reel | MCRE000158 |
| Resistor, 5K6, 0.05W, 1%, 0201 | MCRE000158 |
| Resistor, 5M6, 0.05W, 1%, 0201, Reel | MCRE000256 |
| Resistor, 5M6, 0.05W, 1%, 0201 | MCRE000256 |
| Resistor, 5R6, 0.05W, 1%, 0201, Reel | MCRE000234 |
| Resistor, 5R6, 0.05W, 1%, 0201 | MCRE000234 |
| Resistor, 51K, 0.05W, 1%, 0201, Reel | MCRE000181 |
| Resistor, 51K, 0.05W, 1%, 0201 | MCRE000181 |
| Resistor, 51R, 0.05W, 1%, 0201, Reel | MCRE000109 |
| Resistor, 51R, 0.05W, 1%, 0201 | MCRE000109 |
| Resistor, 510K, 0.05W, 1%, 0201, Reel | MCRE000205 |
| Resistor, 510K, 0.05W, 1%, 0201 | MCRE000205 |
| Resistor, 510R, 0.05W, 1%, 0201, Reel | MCRE000133 |
| Resistor, 510R, 0.05W, 1%, 0201 | MCRE000133 |
| Resistor, 56K, 0.05W, 1%, 0201, Reel | MCRE000182 |
| Resistor, 56K, 0.05W, 1%, 0201 | MCRE000182 |
| Resistor, 56R, 0.05W, 1%, 0201, Reel | MCRE000110 |
| Resistor, 56R, 0.05W, 1%, 0201 | MCRE000110 |
| Resistor, 560K, 0.05W, 1%, 0201, Reel | MCRE000206 |
| Resistor, 560K, 0.05W, 1%, 0201 | MCRE000206 |
| Resistor, 560R, 0.05W, 1%, 0201, Reel | MCRE000134 |
| Resistor, 560R, 0.05W, 1%, 0201 | MCRE000134 |

| Description | Part Number |
|---------------------------------------|-------------|
| Resistor, 6K2, 0.05W, 1%, 0201, Reel | MCRE000159 |
| Resistor, 6K2, 0.05W, 1%, 0201 | MCRE000159 |
| Resistor, 6M2, 0.05W, 1%, 0201, Reel | MCRE000257 |
| Resistor, 6M2, 0.05W, 1%, 0201 | MCRE000257 |
| Resistor, 6R2, 0.05W, 1%, 0201, Reel | MCRE000235 |
| Resistor, 6R2, 0.05W, 1%, 0201 | MCRE000235 |
| Resistor, 6K8, 0.05W, 1%, 0201, Reel | MCRE000160 |
| Resistor, 6K8, 0.05W, 1%, 0201 | MCRE000160 |
| Resistor, 6M8, 0.05W, 1%, 0201, Reel | MCRE000258 |
| Resistor, 6M8, 0.05W, 1%, 0201 | MCRE000258 |
| Resistor, 6R8, 0.05W, 1%, 0201, Reel | MCRE000091 |
| Resistor, 6R8, 0.05W, 1%, 0201 | MCRE000091 |
| Resistor, 62K, 0.05W, 1%, 0201, Reel | MCRE000183 |
| Resistor, 62K, 0.05W, 1%, 0201 | MCRE000183 |
| Resistor, 62R, 0.05W, 1%, 0201, Reel | MCRE000111 |
| Resistor, 62R, 0.05W, 1%, 0201 | MCRE000111 |
| Resistor, 620K, 0.05W, 1%, 0201, Reel | MCRE000207 |
| Resistor, 620K, 0.05W, 1%, 0201 | MCRE000207 |
| Resistor, 620R, 0.05W, 1%, 0201, Reel | MCRE000135 |
| Resistor, 620R, 0.05W, 1%, 0201 | MCRE000135 |
| Resistor, 68K, 0.05W, 1%, 0201, Reel | MCRE000184 |
| Resistor, 68K, 0.05W, 1%, 0201 | MCRE000184 |
| Resistor, 68R, 0.05W, 1%, 0201, Reel | MCRE000112 |
| Resistor, 68R, 0.05W, 1%, 0201 | MCRE000112 |
| Resistor, 680K, 0.05W, 1%, 0201, Reel | MCRE000208 |
| Resistor, 680K, 0.05W, 1%, 0201 | MCRE000208 |
| Resistor, 680R, 0.05W, 1%, 0201, Reel | MCRE000136 |
| Resistor, 680R, 0.05W, 1%, 0201 | MCRE000136 |
| Resistor, 7K5, 0.05W, 1%, 0201, Reel | MCRE000161 |
| Resistor, 7K5, 0.05W, 1%, 0201 | MCRE000161 |
| Resistor, 7M5, 0.05W, 1%, 0201, Reel | MCRE000259 |
| Resistor, 7M5, 0.05W, 1%, 0201 | MCRE000259 |
| Resistor, 7R5, 0.05W, 1%, 0201, Reel | MCRE000236 |
| Resistor, 7R5, 0.05W, 1%, 0201 | MCRE000236 |
| Resistor, 75K, 0.05W, 1%, 0201, Reel | MCRE000185 |
| Resistor, 75K, 0.05W, 1%, 0201 | MCRE000185 |

Newark.com/multicomp-pro
 Farnell.com/multicomp-pro
 Element14.com/multicomp-pro

multicomp PRO

Thick Film Chip Resistors

0201

multicomp PRO

| Description | Part Number |
|---------------------------------------|-------------|
| Resistor, 75R, 0.05W, 1%, 0201, Reel | MCRE000113 |
| Resistor, 75R, 0.05W, 1%, 0201 | MCRE000113 |
| Resistor, 750K, 0.05W, 1%, 0201, Reel | MCRE000209 |
| Resistor, 750K, 0.05W, 1%, 0201 | MCRE000209 |
| Resistor, 750R, 0.05W, 1%, 0201, Reel | MCRE000137 |
| Resistor, 750R, 0.05W, 1%, 0201 | MCRE000137 |
| Resistor, 8K2, 0.05W, 1%, 0201, Reel | MCRE000162 |
| Resistor, 8K2, 0.05W, 1%, 0201 | MCRE000162 |
| Resistor, 8M2, 0.05W, 1%, 0201, Reel | MCRE000260 |
| Resistor, 8M2, 0.05W, 1%, 0201 | MCRE000260 |
| Resistor, 8R2, 0.05W, 1%, 0201, Reel | MCRE000237 |
| Resistor, 8R2, 0.05W, 1%, 0201 | MCRE000237 |
| Resistor, 82K, 0.05W, 1%, 0201, Reel | MCRE000186 |
| Resistor, 82K, 0.05W, 1%, 0201 | MCRE000186 |
| Resistor, 82R, 0.05W, 1%, 0201, Reel | MCRE000114 |
| Resistor, 82R, 0.05W, 1%, 0201 | MCRE000114 |
| Resistor, 82R, 0.05W, 1%, 0201 | MCRE000114 |
| Resistor, 820K, 0.05W, 1%, 0201, Reel | MCRE000210 |

| Description | Part Number |
|---------------------------------------|-------------|
| Resistor, 820K, 0.05W, 1%, 0201 | MCRE000210 |
| Resistor, 820R, 0.05W, 1%, 0201, Reel | MCRE000138 |
| Resistor, 820R, 0.05W, 1%, 0201 | MCRE000138 |
| Resistor, 9K1, 0.05W, 1%, 0201, Reel | MCRE000163 |
| Resistor, 9K1, 0.05W, 1%, 0201 | MCRE000163 |
| Resistor, 9M1, 0.05W, 1%, 0201, Reel | MCRE000261 |
| Resistor, 9M1, 0.05W, 1%, 0201 | MCRE000261 |
| Resistor, 9R1, 0.05W, 1%, 0201, Reel | MCRE000238 |
| Resistor, 9R1, 0.05W, 1%, 0201 | MCRE000238 |
| Resistor, 91K, 0.05W, 1%, 0201, Reel | MCRE000187 |
| Resistor, 91K, 0.05W, 1%, 0201 | MCRE000187 |
| Resistor, 91R, 0.05W, 1%, 0201, Reel | MCRE000115 |
| Resistor, 91R, 0.05W, 1%, 0201 | MCRE000115 |
| Resistor, 910K, 0.05W, 1%, 0201, Reel | MCRE000211 |
| Resistor, 910K, 0.05W, 1%, 0201 | MCRE000211 |
| Resistor, 910R, 0.05W, 1%, 0201, Reel | MCRE000139 |
| Resistor, 910R, 0.05W, 1%, 0201 | MCRE000139 |

Important Notice : This data sheet and its contents (the "Information") belong to the members of the AVNET group of companies (the "Group") or are licensed to it. No licence is granted for the use of it other than for information purposes in connection with the products to which it relates. No licence of any intellectual property rights is granted. The Information is subject to change without notice and replaces all data sheets previously supplied. The Information supplied is believed to be accurate but the Group assumes no responsibility for its accuracy or completeness, any error in or omission from it or for any use made of it. Users of this data sheet should check for themselves the Information and the suitability of the products for their purpose and not make any assumptions based on information included or omitted. Liability for loss or damage resulting from any reliance on the Information or use of it (including liability resulting from negligence or where the Group was aware of the possibility of such loss or damage arising) is excluded. This will not operate to limit or restrict the Group's liability for death or personal injury resulting from its negligence. Multicomp Pro is the registered trademark of Premier Farnell Limited 2019.

Newark.com/multicomp-pro
 Farnell.com/multicomp-pro
 Element14.com/multicomp-pro

multicomp PRO