

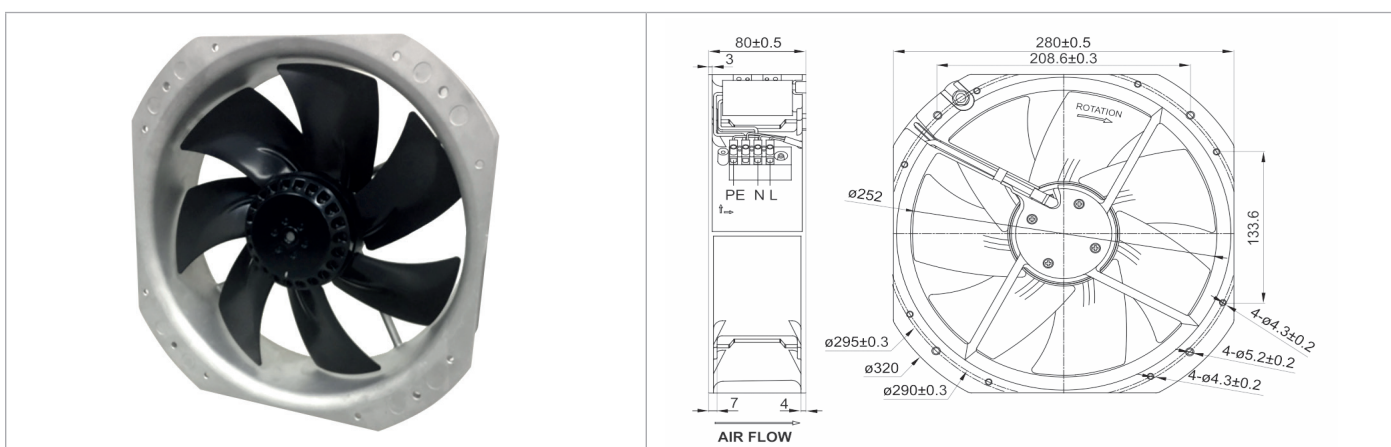


Datasheet

RS PRO AC AXIAL FAN 230VAC 280X80MM METAL

Stock number: 175-9820

EN



Frame	Diecast Aluminum	<u>Operating Temperature</u> Ball Bearing -40C ~ +80C Storage Temp -40C ~ +80C <u>Life Expectancy</u> Ball Bearing 40,000 hours (L10 at 40C) <u>Environmental Protection</u> Rated IP55 Fan Weight: ~ 6.2 lbs.	
Impeller	Metal		
Connection	Terminal Block		
Motor	Capacitor drive, thermally protected		
Bearing System	Dual ball bearing		
Insulation Resistance	Class F		
Dielectric Strength	1 min at 1500 VAC, 50/60Hz		

Model Number	175-9820
Nominal Voltage	230 VAC
Voltage Range	200-240 VAC
Rated Power	158 W
Nominal Current	0.82 A
Rated Speed (RPM)	2700
Airflow - CFM	1130
Noise Level - (dB)	70
Max. Static Pressure	0.78" H ₂ O