

## FEATURES

- Made of ABS
- Available in light gray colour
- Protection against liquids and solid objects: IP65 rating
- Supplied with silicon gasket and four screws
- Threaded brass inserts for reliable assembly.

## RS PRO Hermetic Enclosures

RS Stock No.: 2384061



RS Professionally Approved Products bring to you professional quality parts across all product categories. Our product range has been tested by engineers and provides a comparable quality to the leading brands without paying a premium price.

## Family Name

### Product Description

*Please Hermetic enclosure ideal for applications requiring protection against water ingress. Supplied with silicon gascet that provides IP65 rating. Threaded brass inserts ensures reliable assembly of the enclosure. It can be mounted on walls and other surfaces using mounting ears.*

### General Specifications

<b>Type</b>	Full With lug (U)
<b>Material</b>	ABS
<b>Colour</b>	Lightgray
<b>Accessories</b>	Screw M3 17/10 – 2 psc
<b>Mounting</b>	Wall mount

### Mechanical Specifications

<b>Height</b>	40.1 mm
<b>Width</b>	46.1 mm
<b>Length</b>	46,1 mm (72.9 mm)
<b>Gasket</b>	Silicon Gasket

### Protection Category

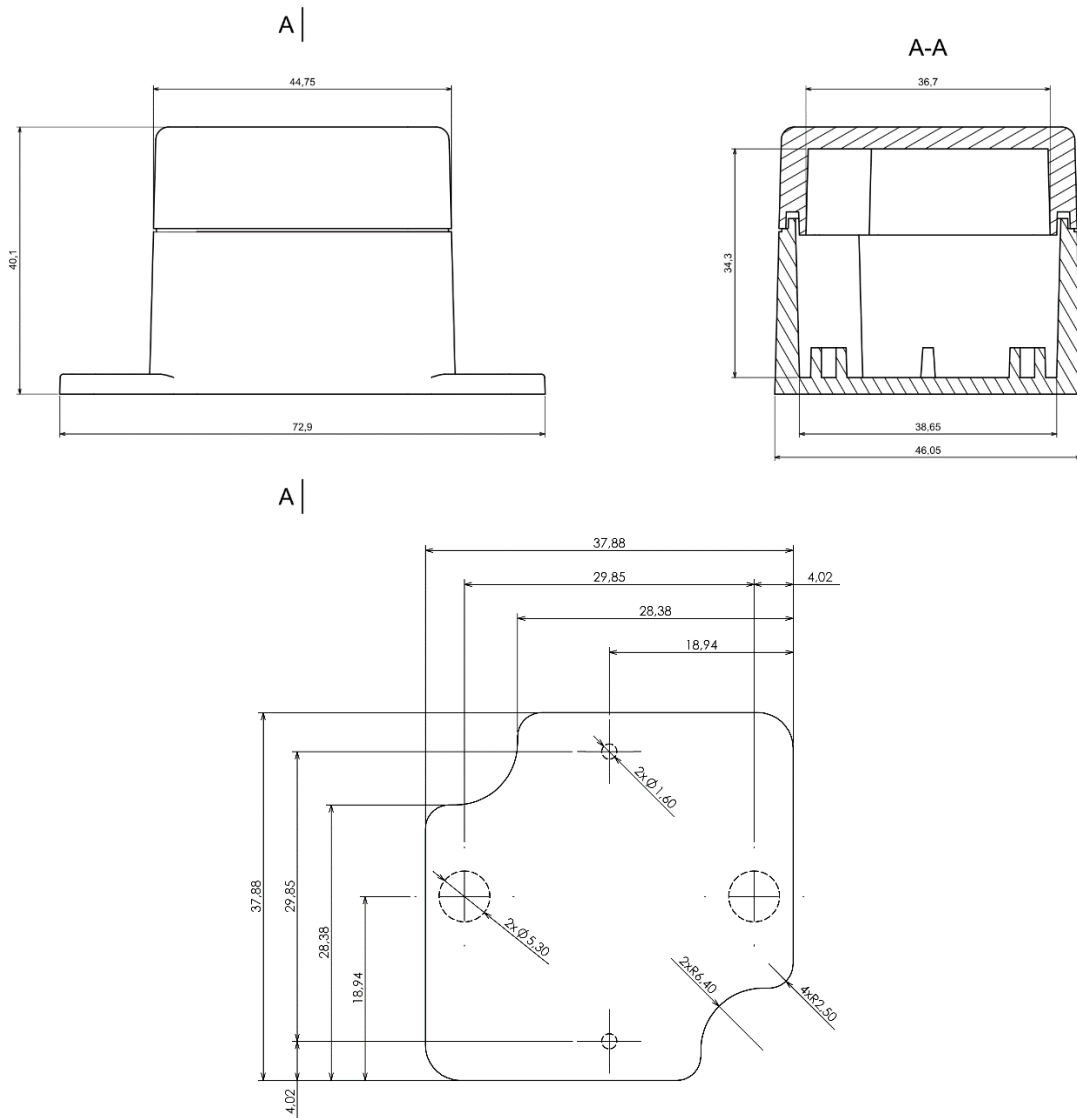
<b>Protection level</b>	IP65
-------------------------	------

### Approvals

<b>Declarations</b>	CE
<b>Standards Met</b>	RoHS Compliant

Similar Products

Stock No.	Brand	Product Name	Colour	Material
2384061	RS PRO	Hermetic	Transparent lid	Polycarbonate lid



Dashed line shows outline of the mounting boss under PCB board  
 Recommended mounting holes diameter  $\varnothing 2,6\text{mm}$   
 All dimensions are given within  $\pm 0,5\text{mm}$  tolerance