

Rocker Switch

multicomp PRO

**RoHS
Compliant**



MP004411



MP004412



MP004413



MP004414



MP004415



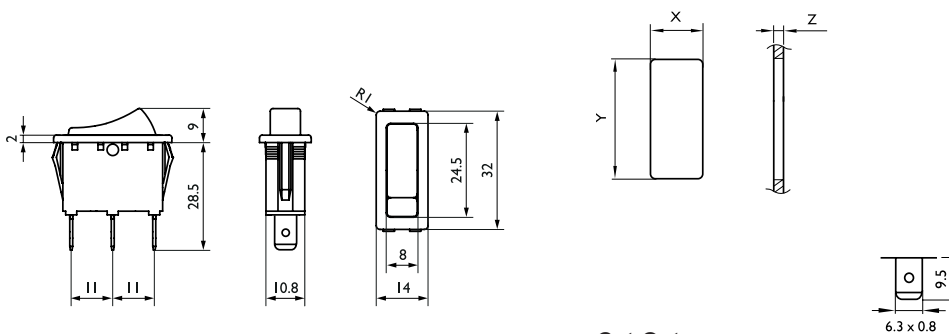
MP004416



MP004417

Features

- 11mm × 30mm cut-out
- 20A 250V
- 6.3mm × 0.8mm faston tabs
- All black
- UL, ENEC, CE approvals



Cut Out

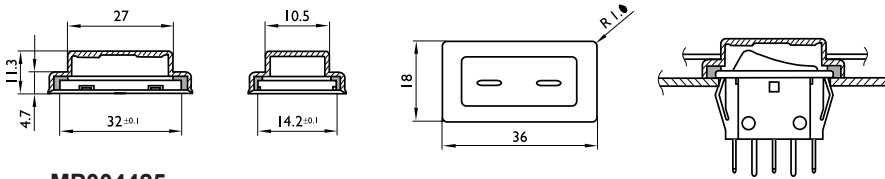
Z	Y	X
0.75-1.25	30.0 +0 -0.1	11 +0.2 -0
1.25-2	30.2 +0 -0.1	11 +0.2 -0
2-3	30.6 +0 -0.2	11 +0.2 -0
3-4	30.8 +0 -0.2	11 +0.2 -0

Rocker Switch Cap



Features

- Splash Proof Cap
- Snap fits over 11mm × 30mm rocker switches
- IP65 when fitted correctly
- Black frame over moulded with PVC cap



MP004425

Dimensions : Millimetres

Specifications Table

Part Number	Rating	Actuator colour	Body colour	Marking	Switch action	Illuminated / non-Illuminated	
MP004411	20(2)A / 250V AC	Black	Black	N/A	SPST latching	non-Illuminated	
MP004412	20(2)A / 250V AC			0 I			
MP004413	16(6)A / 250V AC			N/A	SPDT latching changeover		
MP004414	16(6)A / 250V AC				SPDT latching centre-off		
MP004415	20(2)A / 250V AC	Red	Black	0 I	SPST latching	Illuminated	
MP004416		Green					N/A
MP004417							

Important Notice : This data sheet and its contents (the "Information") belong to the members of the AVNET group of companies (the "Group") or are licensed to it. No licence is granted for the use of it other than for information purposes in connection with the products to which it relates. No licence of any intellectual property rights is granted. The Information is subject to change without notice and replaces all data sheets previously supplied. The Information supplied is believed to be accurate but the Group assumes no responsibility for its accuracy or completeness, any error in or omission from it or for any use made of it. Users of this data sheet should check for themselves the Information and the suitability of the products for their purpose and not make any assumptions based on information included or omitted. Liability for loss or damage resulting from any reliance on the Information or use of it (including liability resulting from negligence or where the Group was aware of the possibility of such loss or damage arising) is excluded. This will not operate to limit or restrict the Group's liability for death or personal injury resulting from its negligence. Multicomp Pro is the registered trademark of Premier Farnell Limited 2019.