



ENGLISH

Product Datasheet

16mm Protection Cap

Switch 16mm Flip guard 90 Degree Square



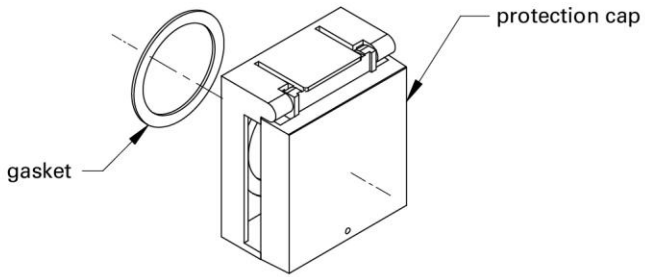
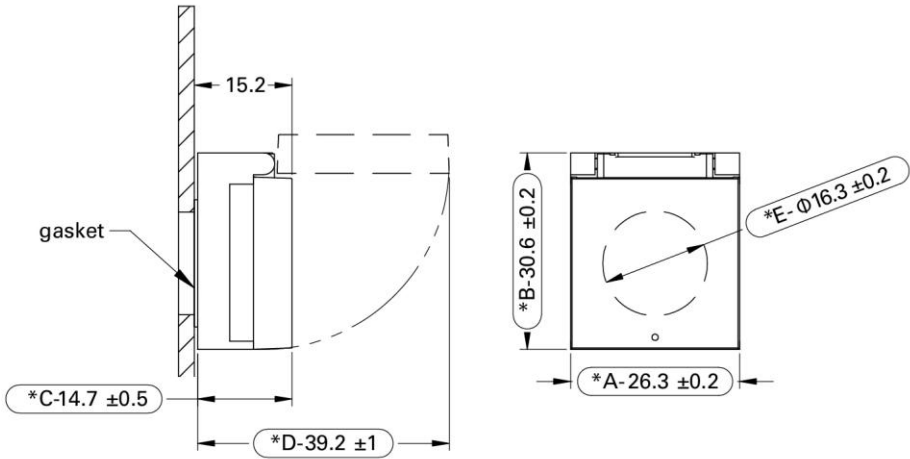
Product Specifications:

Material	Cover	Plastic
	Base	Plastic
	Gasket	Rubber
Mounting hole	$\Phi 16.2\text{mm}$	
Optics	Transparent	

RoHS
Compliant

16mm protection cap

To avoid faulty operation, housing for locking, transparent
 For square 24x 24 head (90°)



Hole Dia

