

## FEATURES

- Screw affixing method
- Clamp width of 25mm
- Bright Zinc Plated (BZP)

# RS PRO Cable Clip Black Screw Plated Steel P Clamp, 25mm Max. Bundle

RS Stock No.: 186-5404



RS PRO Professionally Approved Products bring to you professional quality parts across all product categories. Our product range has been tested by engineers and provides a comparable quality to the leading brands without paying a premium price.

## Product Description

From RS PRO, this robust P Clip is ideal for securely holding pipes, cables and hoses in permanent or semi-permanent installations. The plated steel clip has a rubber insert which offers a secure grip which minimizes shifting. The clamp simply wraps around the cable or conduit, and screws together into a fixed surface. This simple affixing method ensures versatility as to where the clamp can be placed.

## General Specifications

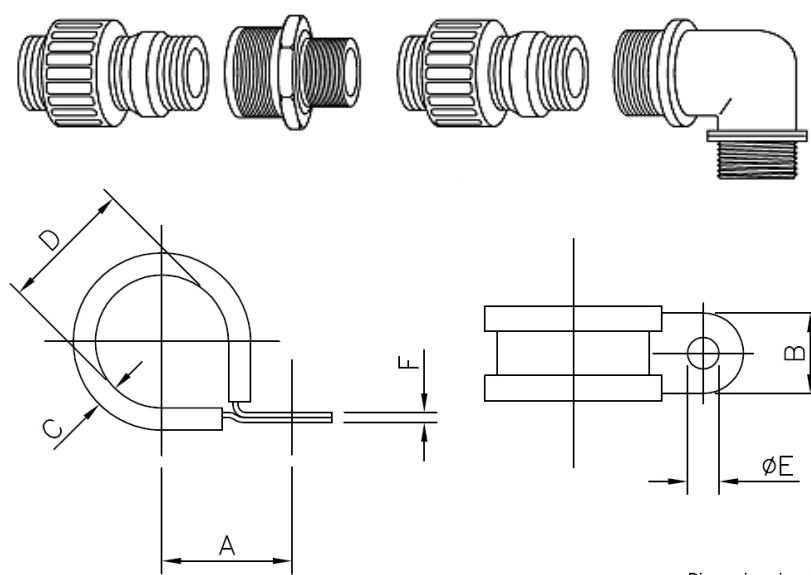
<b>Material</b>	Plated Steel
<b>Colour</b>	Black
<b>Affixing Method</b>	Screw.
<b>Cable Clip/Clamp Style</b>	P-clamp
<b>Finish</b>	Bright Zinc Plated
<b>UV-Resistant</b>	No
<b>Applications</b>	P clips, or pipe clips, are used whenever fasteners are need to secure lengths of flexible conduit or cable to a fixed position. They can be used in the automobile industry or wherever rubber or plastic hosing needs to be held in place.

## Mechanical Specifications

<b>Dimensions</b>	12.7mm x 1.4mm
<b>Width</b>	12.7mm
<b>Depth</b>	1.4mm
<b>Maximum Bundle Diameter</b>	25mm
<b>Mount Hole Size</b>	5.2 mm

Approvals

Compliance/Certifications	RoHS certificate of compliance
---------------------------	--------------------------------



Dimensions in mm

PART No	A	B	C	D	øE	F
186-5353	13.5	12.7	3.5	9.5	5.2	1.4
186-5375	15.3	12.7	3.5	14.0	5.2	1.4
186-5381	17.3	12.7	3.5	17.0	5.2	1.4
186-5397	19.3	12.7	3.5	21.0	5.2	1.4
186-5404	21.5	12.7	3.5	25.5	5.2	1.4
186-5410	25.8	12.7	3.5	34.0	5.2	1.4
287-5581	37.3	19.1	4.5	44.5	10.2	2.4
287-5597	43.5	25.4	4.5	57.2	14.2	2.4