

# Check Valves

## Features

- Non verifiable single check valve
- Installed in horizontal or vertical
- DZR copper alloy with nickel plated finish
- Spring assistance gives rapid closure
- Prevent backflow, flow reversal and hydraulic shock
- Can also be used with showers and taps
- Supplied with compression ends that comply with BS EN 1252-2 for use with R250 (half-hard) copper tube.

## RS PRO BI Series DZR Single Check Valves – 10 Bar

RS Stock No: 242-2833, 242-2834, 242-2835



RS PRO Professionally Approved Products bring to you professional quality parts across all product categories. Our product range has been tested by engineers and provides a comparable quality to the leading brands without paying a premium price.

# Check Valves

## Product Description

RS PRO is proud to introduce the BI range of single checks valves designed for use in water supplies. These high-quality valves are constructed from a DZR copper alloy and finished with nickel plating. Our check valves can be installed horizontally or vertically in pipework and offer rapid closure preventing flow reversal and hydraulic shock. Three sizes are available, each designed for use with water outlets such as a thermostatic shower or thermostatic taps.

Compact  
Lightweight  
Durable and convenient  
DZR Copper Alloy

## General Specifications

Body	DZR Copper Alloy
Cartridge	Plastic
O ring	NBR Rubber
Compression Nut	Brass
Olive	Brass

## Technical Specifications

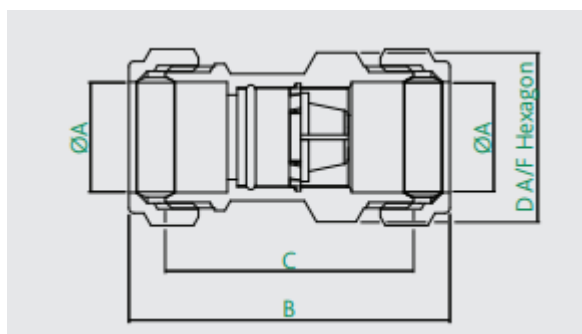
Max inlet pressure	10 bar
Min inlet pressure	0.1 bar
Max continuous temperature	85 °C
Conforms to	BS EN 13959

## Approvals

Approval	WRAS approved product
----------	-----------------------

# Check Valves

## Dimensions



Connections: Copper x Copper

RS Stock no	Dia. A	B	C	D A/F	kg
242-2833	15	61	45.5	22	0.10
242-2834	22	65	50	31.5	0.18
242-2835	28	72	56.5	39	0.29

**Sold Separately**