



ENGLISH

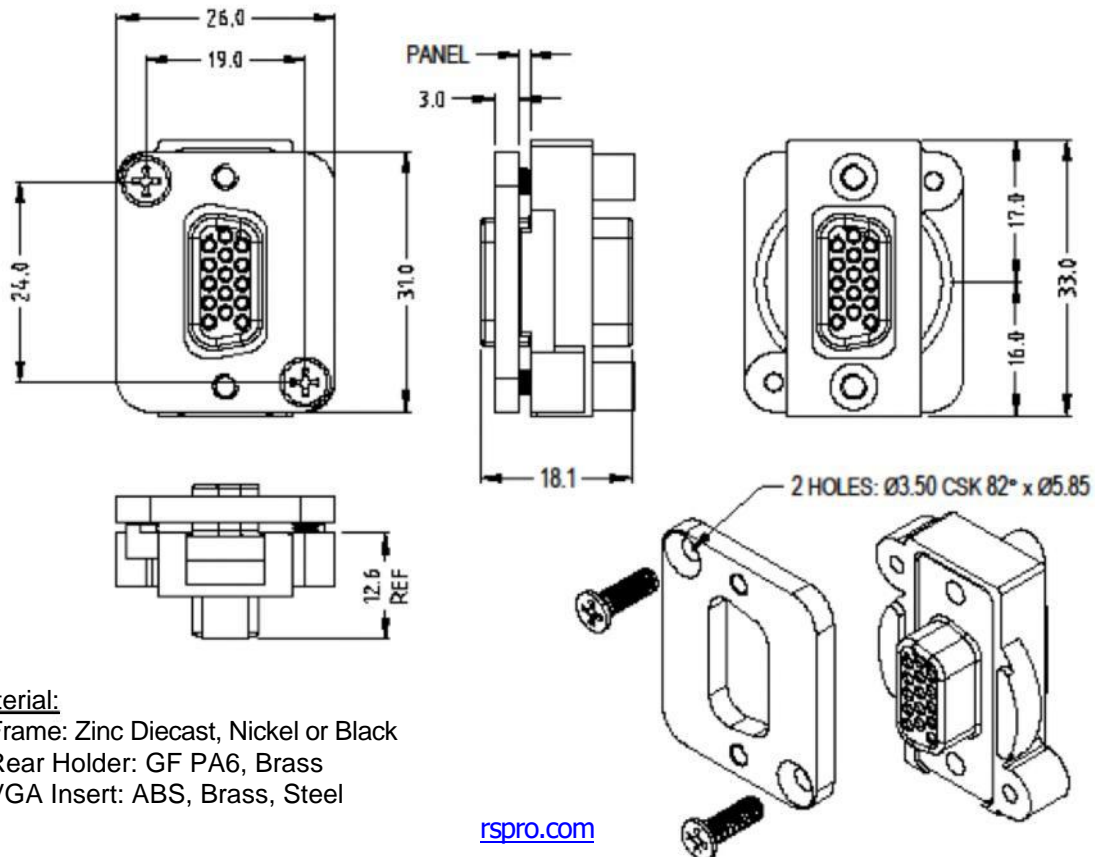
## Datasheet

# RS PRO 15 PIN VGA CONNECTOR

Stock No: 2035557, 1960759



This space-saving and economical 15 pin VGA "D-Sub" can be front mounted onto our 1U panels. The front plate is metal with a silver or black finish. The product is in 3 parts for easy assembly.



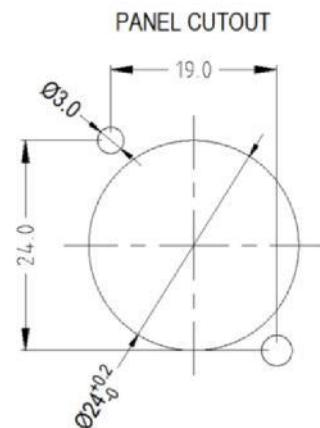
### Material:

1. Frame: Zinc Diecast, Nickel or Black
2. Rear Holder: GF PA6, Brass
3. VGA Insert: ABS, Brass, Steel

[rspro.com](http://rspro.com)



3 separate parts for assembly through panel



**Part Nos:**

**2035557** - 15 pin VGA Female - Female, Metal, Front mounting only

**1960759** - 15 pin VGA Female - Female, Black metal, Front mounting only