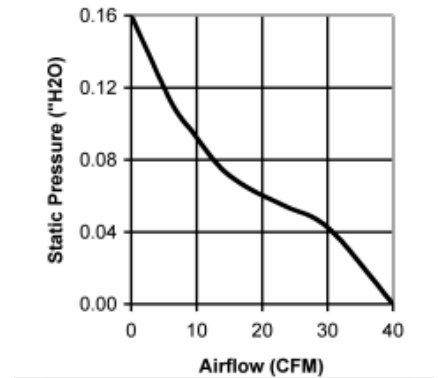
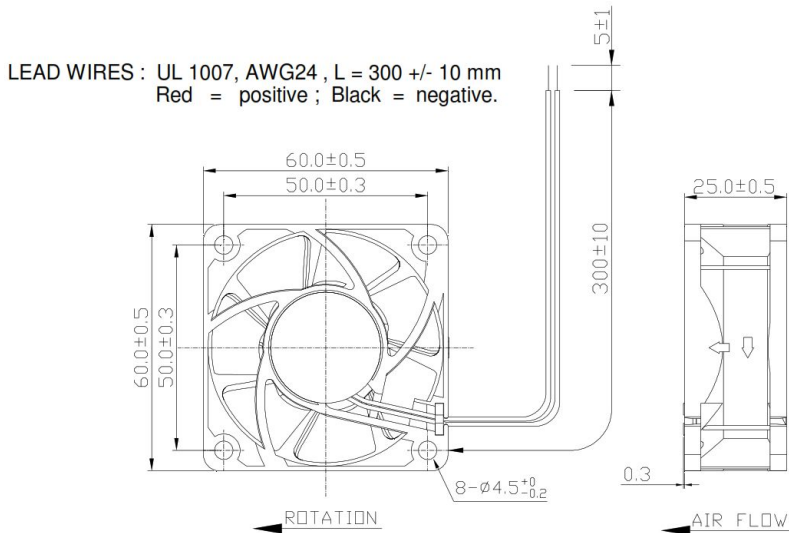


Datasheet

DC Axial Fan, 60 x 25 x 60mm

RS Stock number [787-4007](#)

Dimensions: (mm)



Specifications

- Frame & Impeller: PBT, UL94V-O plastic
- Connection: 2x Lead Wires 24AWG
- Motor: Brushless DC, auto restart, polarity protected
- Bearing System: Sealed Sleeve
- Insulation Resistance: 10M ohm between lead-wire and frame (500VDC)
- Dielectric Strength: 1 second at 500 VAC, max leakage – 500 MicroAmp
- Available Options: Sleeve Bearing /Ball Bearing/ Tachometer/ Alarm /Thermal control/ PWM Input / IP55 / 48V & 5V /
- Life Expectancy :
 - Ball: 60,000 hrs (45C)
 - Sleeve: 30,000 hrs (45C)
- Operating Temperature:
 - Ball: 10~70C
 - Sleeve: 10~60C