

FEATURES

- No need for ballast or ignitor circuits
- Die-cast aluminium body
- Hinged toughened glass lens sealed with a silicone rubber gasket
- Dimpled anodised aluminium reflector provides a wide spread of light
- Robust, practical, and weatherproof, IP54 rated halogen floodlight with wall mounting bracket
- 2-stage extending pole and fold up legs to increase height or assist stability.

RS PRO Halogen Work Light, 400 W, 220 → 240 V

RS Stock No.: 791-8267



RS Professionally Approved Products bring to you professional quality parts across all product categories. Our product range has been tested by engineers and provides a comparable quality to the leading brands without paying a premium price.

Product Description

Flood lights will spread an even illumination across an area with no shadows. Quite often called base lighting. Stores, factories, office buildings and public spaces will use lots of lights to blanket an area. A spotlight usually has a reflector and lens assembly that concentrates the light into a narrow spot whereas a flood light spreads light everywhere.

****Notice*: The product is bulb excluded.***

General Specifications

Length	265 mm
Depth	125 mm
Height (Adjustable)	0.9~1.8 m
Case Material	Die Cast Aluminium
Finish	Black shade, yellow rack
Type	Tripod
Lamp supplied	No
Applicable lamp shape	R7S
Floodlight Type	Indoor, Outdoor

Electrical Specifications

Voltage	220 -> 240V ac, 50hz
Wattage	400 W
IP rating	IP54
Maximum Projection Area	0.02M ²

Additional Information

Custom Tariff Number	9405402000
-----------------------------	------------

Approvals

Standards Met	GS / IP54
----------------------	-----------

Similar Products

Stock No.	Brand	Product Name
791-8264	RS PRO	Floodlight, 120 W, IP44 PIR
791-8276	RS PRO	Floodlight, 400 W, IP44 220 → 240 V ac

Safety instructions

1. Before mounting and maintenance please make sure that the electrical supply has been switched off to avoid electric shock.
2. The lamp must be earthed. Make sure that the ground lead has been connected properly.
3. The bulb will become very hot while using, never touch the bulb while the lamp is switched on or it has not cooled down completely.
4. When replacing the bulb make sure the new bulb fits rated wattage and socket type.
5. Never look into the light directly when it is switched on.
6. The power cord must be a VDE-certified H05RN-F 3G 1.0 mm² cable waterproof.
7. A maximum of 8 mm can be skinned of the supply lead.
8. Do not use the lamp without shade. If shade is broken stop using the lamp and replace a new shade.

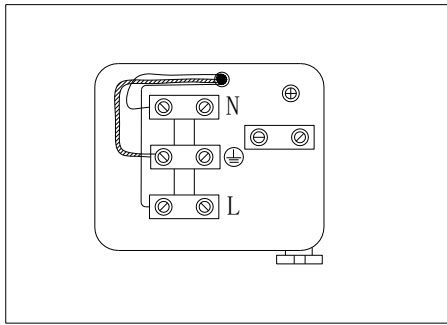
Installation

1. The light is only suitable for fixed mounting.
2. Fix the appliance by 2 screws of minimum 6 mm and maximum 7 mm diameter.
3. Connect the yellow/green conductor of the connection supply cable with the connection block, marked with the earthing symbol. Mount the other wires into the connector block .see mark N and L(Fig.1)
4. For applications on normal inflammable surfaces follow the instructions of fig.2
5. Respect a minimum distance of 1 meter between the appliance and the object or surface with must be lightened(fig.3).
6. The halogen lamp in this fitting will burn through quickly if the fitting is fixed under an angle of more than 4⁰(fig.4).
7. Fix now the halogen lamp in the lamp holder. Halogen lamp should not be touched with bare hands(fig.5).

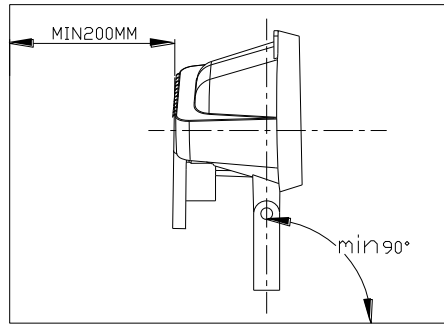
Change the bulb

1. Before maintenance and replacement of bulb always make sure the power supply has been switched off.
2. Open the lamp cover.
3. Twist the old bulb out carefully.
4. Twist a new bulb into the socket. Make sure that new bulb fits technical data of your lamp.
5. Close the lamp cover.

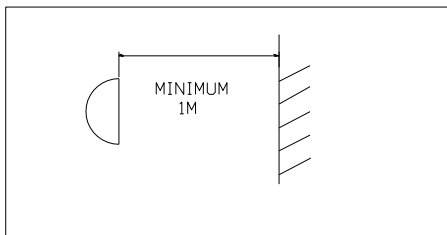
WARNING: The maintaining should be done only by a qualified electrician.



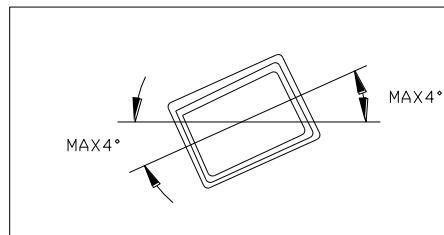
(fig1)



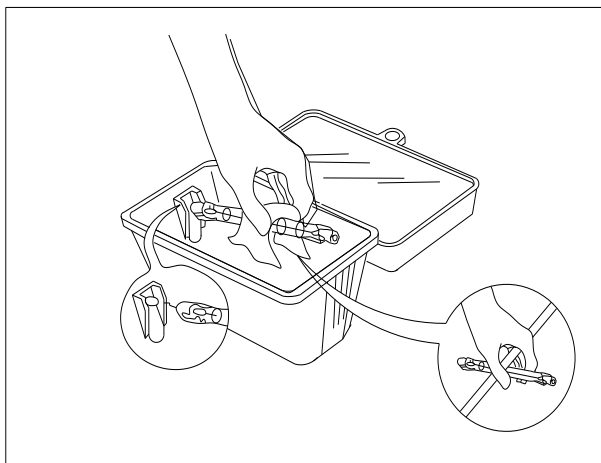
(fig2)



(fig3)



(fig4)



(fig5)



This marking indicates that this product should not be disposed with other household wastes throughout the EU. To prevent possible harm to the environment or human health from uncontrolled waste disposal, recycle it responsibly to promote the sustainable reuse of material resources. To return your used device, please use the return and collection systems or contact the retailer where the product was purchased. They can take this product for environmentally safe recycling.