

FEATURES

- Miniature ceramic cartridge
- F Speed rated
- 5mm x 20mm cartridge size
- Cylindrical shape

RS PRO, 2A Ceramic Cartridge Fuse, 5 x 20mm, Speed F

RS Stock No.: 563-413



RS Professionally Approved Products bring to you professional quality parts across all product categories. Our product range has been tested by engineers and provides a comparable quality to the leading brands without paying a premium price.

Product Description

RS PRO range of miniature ceramic cartridge fuses which are fast acting (F) and are ideal for providing protection to devices or internal circuits from short circuits and overcurrent. They are deliberately weaker components which, when too much current is drawn, will blow. Once the fuse has blown it will need replacing in order to make the circuit complete and allow the flow of current

General Specifications

Lead wire	Diameter Ø0.8mm 10A and less, Diameter Ø1.0mm for rating above 12.5A
Fuse Speed	F
Body Material	Ceramic body/nickel plated brass caps
Includes Indicator	No
Size Designation	Miniature
Applications	Industrial, Commercial, Home/Residential, Automotive

Electrical Specifications

Current Rating	2A
Voltage Rating	250V ac
High Rupture Capacity	Yes
Breaking Capacity (at Maximum Voltage Rating)	1500A
Resistance	0.0727Ω

Mechanical Specifications

Fuse Size	5mm x 20mm
Overall Length	20mm
Diameter	5.2mm
Overall Dimensions	5.2mm x 20 mm

Operation Environment Specifications

Maximum Operating Temperature	125°C
Minimum Operating Temperature	-55°C

Approvals

Compliance/Certifications	CSA Acceptance, UL Recognised, RoHS Compliant, VDE, BSI, CQC, KTL, SEMKO Approved
---------------------------	---

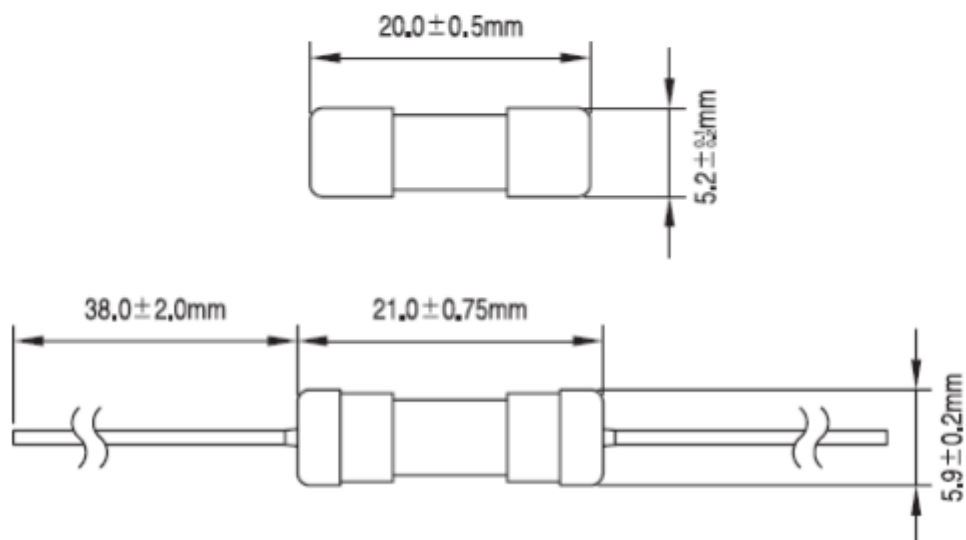


UBM

UBM-A



Drawing (mm):



Electrical Characteristic:

Rated Current	1.5In	2.1In	2.75 In		4 In		10 In
	MIN	MAX	MIN	MAX	MIN	MAX	MAX
63mA~4A	60 min	30 min	10 ms	2 sec	3 ms	300 ms	20 ms
4A~6.3A	60 min	30 min	10 ms	3 sec	3 ms	300 ms	20 ms
8A~16A	30 min	30 min	40 ms	20 sec	10 ms	1 sec	30 ms