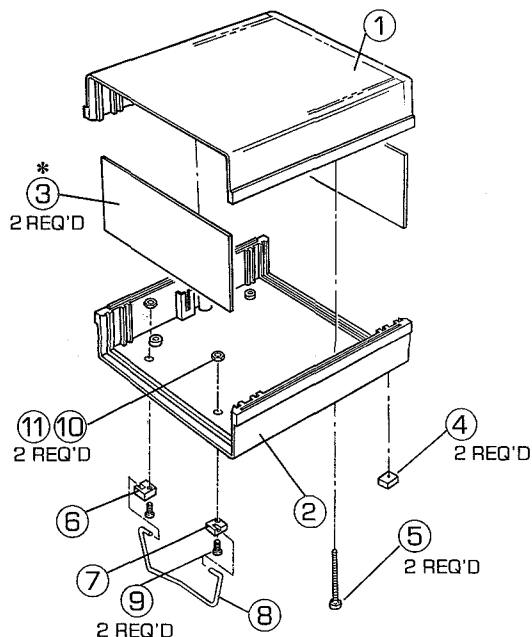


MODEL CM
STANDARD



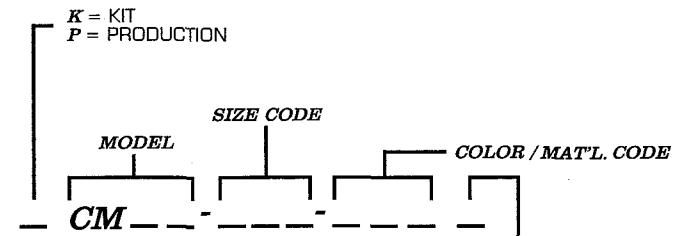
MODEL CMB
BAILED

FOR ENGINEERING DRAWING SEE SIDE 2

RS 220-5702

*SUPPLIED WITH KIT ONLY

MODEL NUMBER GENERATION



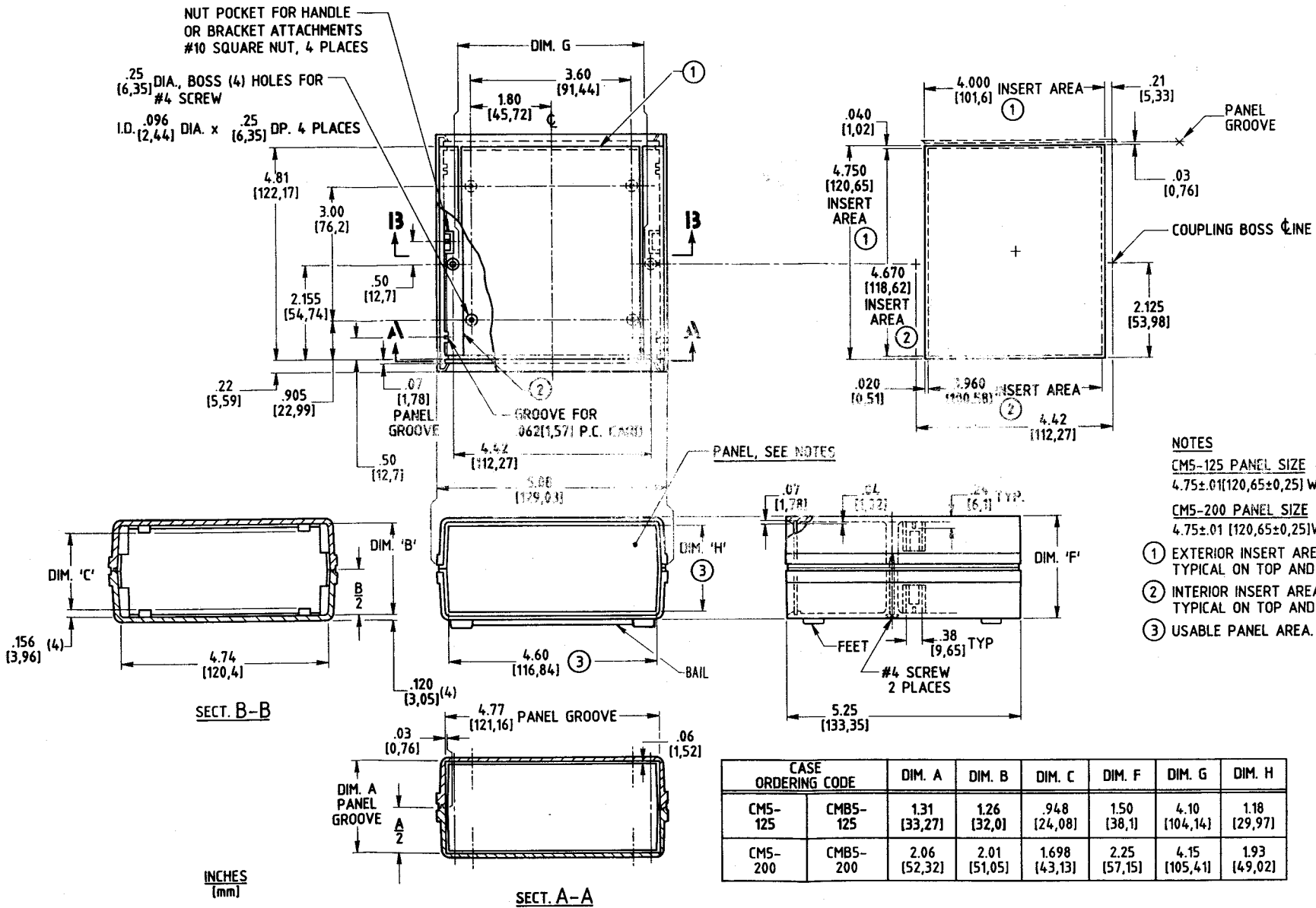
EXAMPLE: P CMB5-200-000 S

EMI-RFI COATING
S = NICKEL
C = COPPER

MODEL	① TOP COVER	② BOTTOM COVER	*③ PANEL BLANK	④ FEET	⑤ SCREW	⑥ BAIL FOOT RIGHT	⑦ BAIL FOOT LEFT	⑧ BAIL	⑨ SCREW	⑩ NUT	⑪ LOCK WASHER
CM5 125	60238-01	60238-02	60242-01	60221-01	60227-01	-	-	-	-	-	-
CM5 200	60239-01	60239-02	60242-02	60221-01	60227-02	-	-	-	-	-	-
CMB5 125	60238-01	65192-01	60242-01	62152-01	60227-01	61735-02	61735-01	63670-01	62153-01	63291-01	63676-01
CMB5 200	60239-01	65192-02	60242-02	62152-01	60227-02	61735-02	61735-01	63670-01	62153-01	63291-01	63676-01

COLOR / MATERIAL CODE		
COLOR	94HB	94VO
BLACK	000	028
GREY	001	024
TAN	002	025
P.C.BONE	039	060

CM5-125 & 200
CMB5-125 & 200



CM5-125 & 200
CMB5-125 & 200