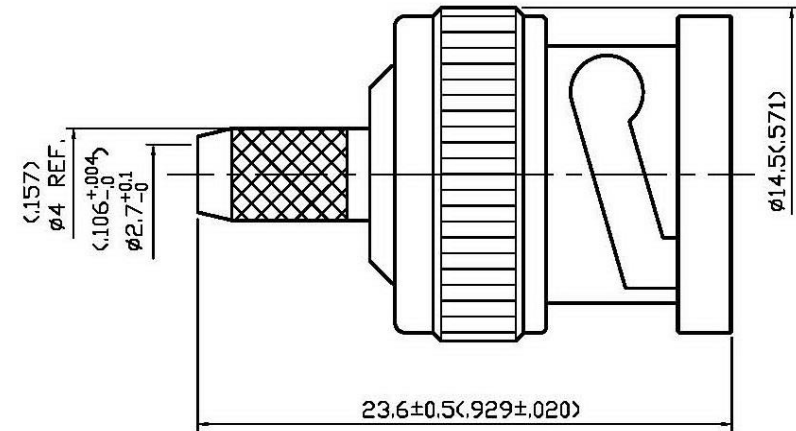
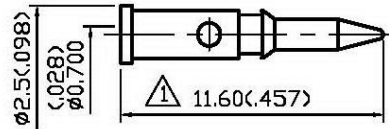
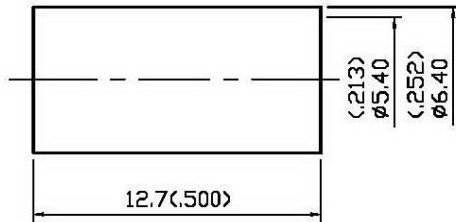


NO	DESCRIPTION	DATE
△1	11.80 → 11.60	04.10.00
△2	BACKGROUND FORMAT UPDATED	09.06.03
△3	BACKGROUND FORMAT UPDATED	01.27.10'
△4	DEL. PROOF VOLTAGE; SOLDER/ WORKING VOLTAGE → VOLTAGE RATING	05.20.15'



1.0 ELECTRICAL

- 1.1 FREQUENCY RANGE: DC-1 GHz
- 1.2 NOMINAL IMPEDANCE: 75 OHM
- 1.3 VOLTAGE RATING: 500 VOLTS MAX. △4

2.0 MATERIALS

- 2.1 BODIES: BRASS PER JIS-C3604
- 2.2 CENTER CONTACT: BRASS PER JIS-C3604
- 2.3 INSULATION: TEFLON PER ASTM D1457 AND ASTM D1710
- 2.4 CRIMP FERRULE: BRASS PER JIS-C2700

3.0 FINISHES AND OTHERS

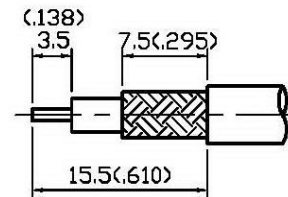
- 3.1 SEE BELOW TABLE FOR DETAILS.

4.0 MECHANICAL

- 4.1 FOR USE WITH BT2002 OR SIMILAR STYLE CABLE
- 4.2 CABLE ATTACHMENT: OUTER: CRIMP, INNER: SOLDER/CRIMP
- 4.3 CRIMP SIZE REQUIRED: CONTACT: 1.8(.071) HEX. CRIMP TOOL △4
FERRULE: 5.4(.213) HEX. CRIMP TOOL

5.0 ENVIRONMENTAL

- 5.1 OPERATING TEMPERATURE RANGE: -20° C TO +80° C



STRIPPING DIMENSION

9	CENTER CONTACT	BRASS	1	GOLD
8	CRIMP FERRULE	BRASS	1	NICKEL
7	SHELL	ZINC	1	NICKEL
6	INSULATION	TEFLON	1	NONE
5	GASKET	RUBBER	1	RED
4	WASHER	BRASS	1	NICKEL
3	SPRING WASHER	SK-5	1	NICKEL
2	WASHER	BRASS	1	NICKEL
1	BODY	BRASS	1	NICKEL 100 μ " MIN.
NO	DESCRIPTION	MATERIAL	Q'TY	FINISH

APPROVED

by _____ DATE: _____



DESCRIPTION		BNC STRAIGHT PLUG CRIMP	
製圖	DRAWN <i>Kristina</i>	TOLERANCE .X ±0.2	品名 13-10-1 T.G.Z BT2002
檢圖	CHECK <i>Arc</i>	.XX ±0.1	日期 06.06.96
認定	APPROVAL <i>Jenny</i>	.XXX ±0.05	版次 A-4
	ANGLE ±5°	單位 mm(in)	SCALE 4:1
		DWG.NO.	13-0094
		DATE	06.06.96
		REV.	A-4