

FEATURES

- Glass reinforced polyester (GRP) case providing protection to IP44
- 110V centre tapped to earth (CTE) secondary winding
- 10amp thermal magnetic trip (hand resettable) reducing the chance of overload
- 2x 16A 110V Sockets
- Thermal overload protection
- Intermittent rating: maximum ration for operating load
- 2 metre input mains lead with 13A UK domestic plug

RS PRO, 1.5kVA Isolation Transformer, 230V ac, 2 x 16A

RS Stock No.: 122-6714



RS Professionally Approved Products bring to you professional quality parts across all product categories. Our product range has been tested by engineers and provides a comparable quality to the leading brands without paying a premium price.

Product Description

This safety transformer from our own RS PRO brand is high quality, UK manufactured to BSEN (British Standard European Norm) 61588 and fully compliant with reduced low voltage regulations.

General Specifications

Type	Portable Tool Isolation Transformer
Enclosure	GRP - Colour yellow
Applications	Isolation, transmission, distribution and utilization of alternating current electric power, Increasing low AC voltages at high current or decreasing high AC voltages at low current in electric power applications, and for coupling stages of signal processing circuits

Electrical Specifications

Power Rating	1.5kVA
Primary Voltage Rating	230 V ac
Secondary Voltage Rating	110 (55V-0V-55V)V
Output Current	2 x 16A
Minimum Operating Frequency	50Hz
Maximum Operating Frequency	60Hz
Plug Type	BS 1363
Socket Type	BS EN 60309
Thermal Cutout	6A

Mechanical Specifications

Mounting Type	Stand Alone
Dimensions	195mm x 195mm x 265mm
Length	195mm
Width	195mm
Depth	265mm
Weight	12kg

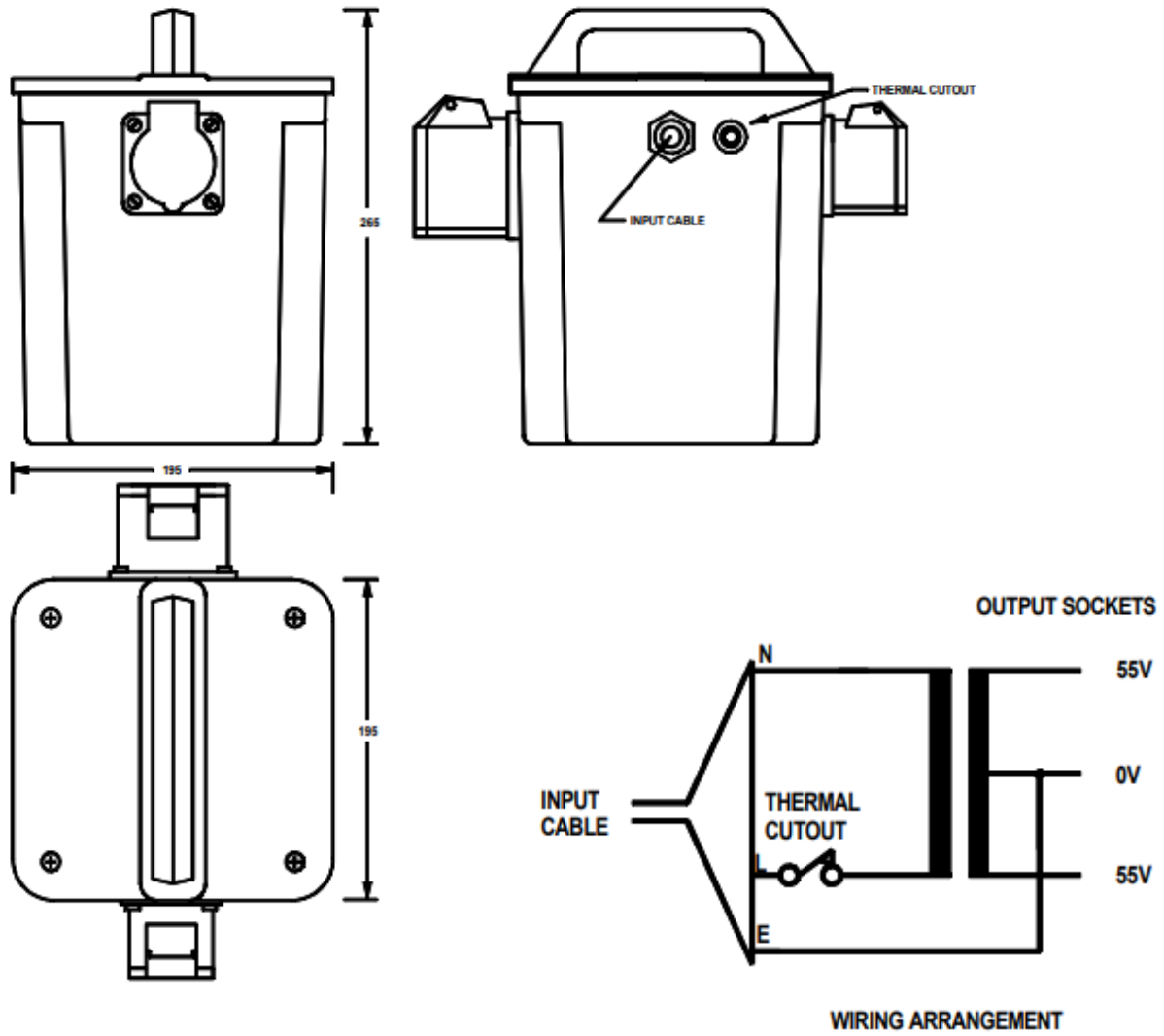
Protection Category

IP Rating	IP44
------------------	------

Approvals

Compliance/Certifications	RoHS Directive 2011/65/EU
Standards Met	BS EN 61558, BS EN 61558-20-23, BS EN 60529





PORTABLE TOOL TRANSFORMER