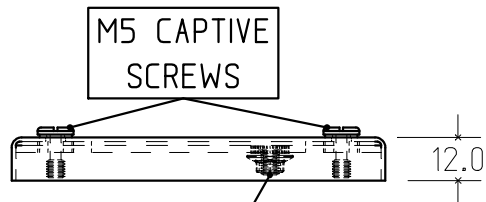
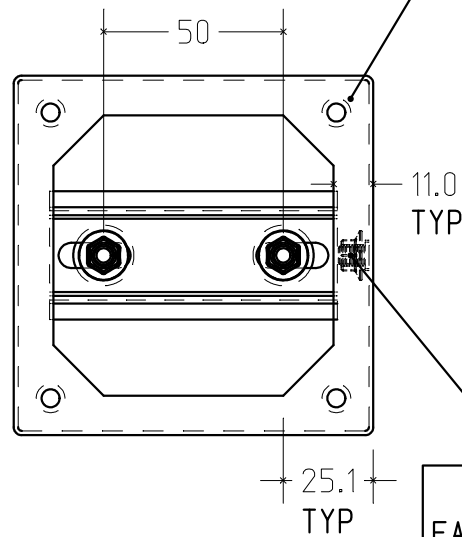


6mm GASKET COMPRESSED 50%



M5 EARTH STUD

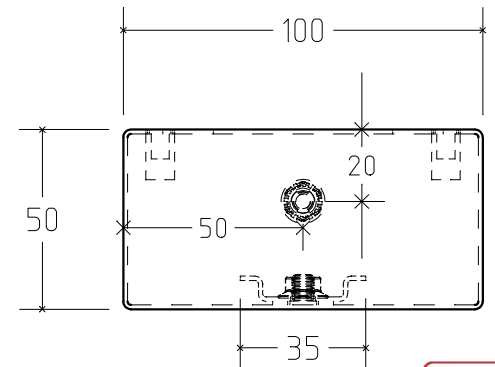
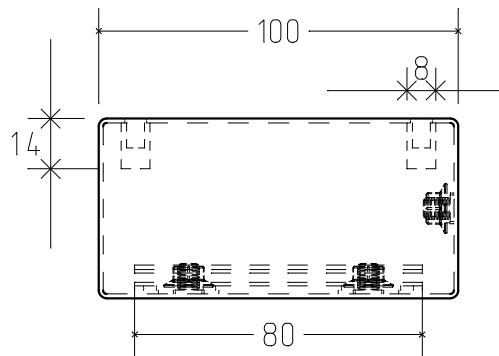
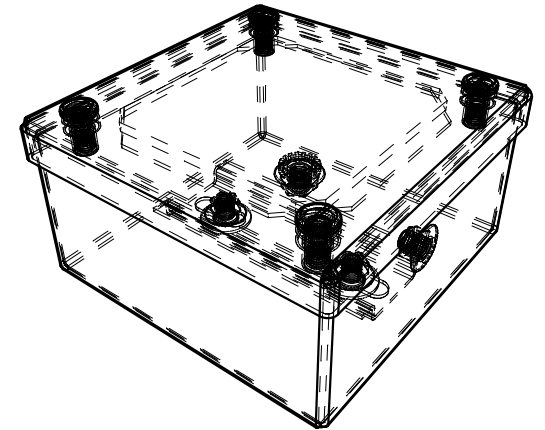
cULus LISTED - FILE E233528
 JUNCTION & PULL BOX
 TYPE 1, 4, 4X, 12 & 13
 IP TESTED IP66 & IP69K



M5 BLIND BUSHES

M6 X 8 EARTH STUD

ISOMETRIC VIEW



| | | | | | | | |
|-----------------------------------|------|-----------|---------|-----|-----------|---|-----------------------|
| TITLE 100 X 100 X 50 ENCLOSURE | DATE | 19.3.2014 | DRAWN | MSE | MATERIAL | 1.4301 (304) ST/ST 1.4404 (316L) ST/ST | TOLERANCES +/- 1mm |
| | AUTH | | CHECKED | SS | FINISH | POLISH/SATIN | |
| | | | | | THICKNESS | 1.2 | |