

# M Type Nylon Screw Plugs

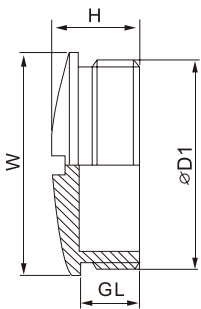
**multicomp** PRO



## Specifications

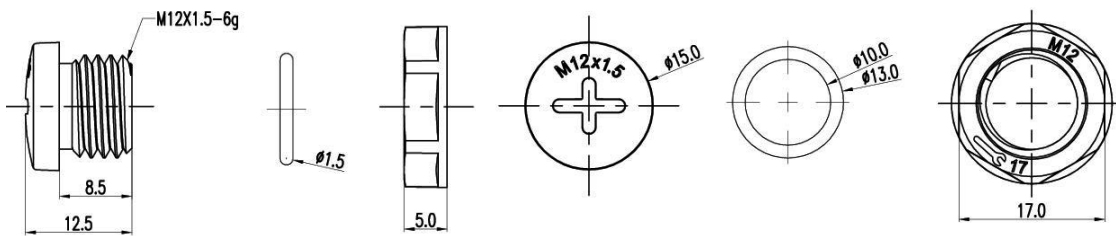
Material : PA (Nylon), UL 94 V-2  
 Protection Degree : IP68  
 Working Temperature : -40°C to 100°C in static state  
 -20°C to 80°C in dynamic state  
 Colour : Black  
 Locknut is Included

## Dimensions

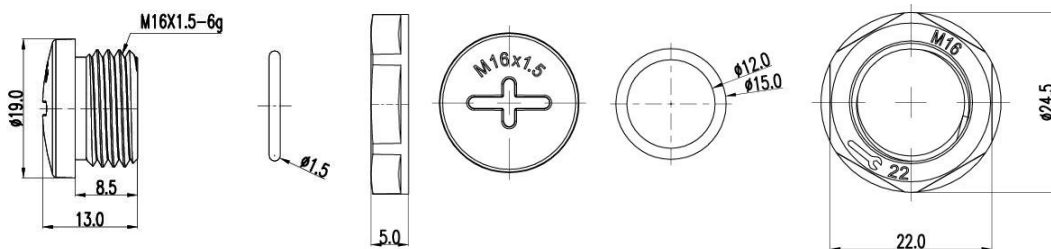


Part Number	Thread ØD1	GL mm	H mm	W mm
PP002125	M12	8.5	12.5	15
PP002126	M16	8.5	13	19
PP002127	M20	9	13	25
PP002128	M25	10.5	15.5	30
PP002129	M32	10.5	16	38

## Diagram for PP002125



## Diagram for PP002126



Dimensions : Millimetres

Newark.com/multicomp-pro  
 Farnell.com/multicomp-pro  
 Element14.com/multicomp-pro

**multicomp** PRO

# M Type Nylon Screw Plugs

Diagram for PP002127

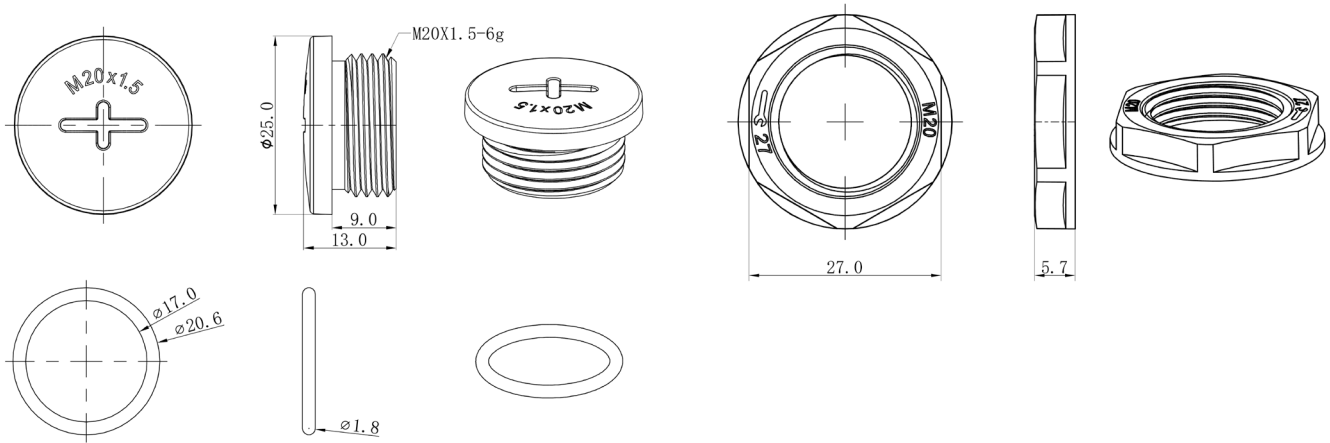


Diagram for PP002128

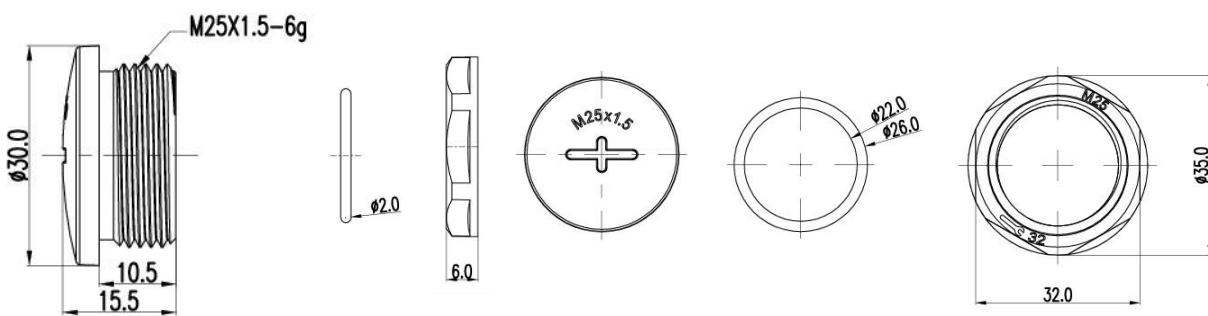
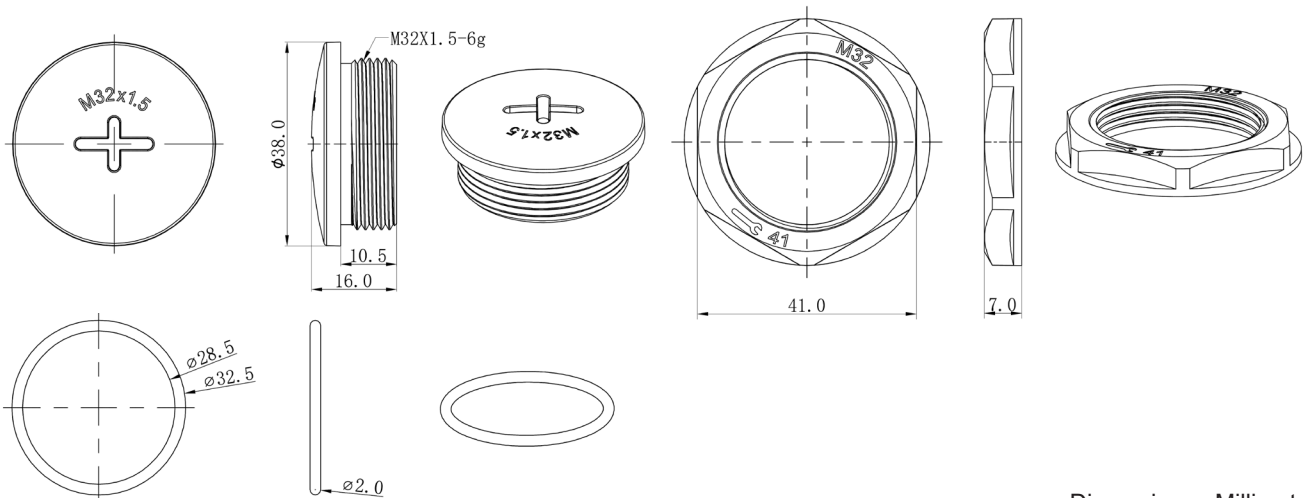


Diagram for PP002129



Dimensions : Millimetres

## Part Number Table

Description	Colour	Part Number
Nylon Screw Plug, M12, Locknut, PK10	Black	PP002125
Nylon Screw Plug, M16, Locknut, PK10		PP002126
Nylon Screw Plug, M20, Locknut, PK10		PP002127
Nylon Screw Plug, M25, Locknut, PK5		PP002128
Nylon Screw Plug, M32, Locknut, PK5		PP002129

**Important Notice :** This data sheet and its contents (the "Information") belong to the members of the AVNET group of companies (the "Group") or are licensed to it. No licence is granted for the use of it other than for information purposes in connection with the products to which it relates. No licence of any intellectual property rights is granted. The Information is subject to change without notice and replaces all data sheets previously supplied. The Information supplied is believed to be accurate but the Group assumes no responsibility for its accuracy or completeness, any error in or omission from it or for any use made of it. Users of this data sheet should check for themselves the Information and the suitability of the products for their purpose and not make any assumptions based on information included or omitted. Liability for loss or damage resulting from any reliance on the Information or use of it (including liability resulting from negligence or where the Group was aware of the possibility of such loss or damage arising) is excluded. This will not operate to limit or restrict the Group's liability for death or personal injury resulting from its negligence. Multicomp Pro is the registered trademark of Premier Farnell Limited 2019.