

FEATURES

- Made of ABS
- Available in light gray colour
- Protection against liquids and solid objects: IP67 rating
- Supplied with four screws
- Threaded brass inserts for reliable assembly.

RS PRO Hermetic Enclosures

RS Stock No.: (2384018)



RS Professionally Approved Products bring to you professional quality parts across all product categories. Our product range has been tested by engineers and provides a comparable quality to the leading brands without paying a premium price.

Product Description

Hermetic enclosure ideal for applications requiring protection against water ingress. The enclosure is manufactured with polyurethane gasket that provides IP67 rating. Lid manufactured with recess for membrane keypads and overlays. Threaded brass inserts ensures reliable assembly of the enclosure. It can be mounted on walls and other surfaces using mounting ears.

General Specifications

Type	Full with lug
Material	ABS
Colour	Lightgray
Accessories	Screw M3 17/10 – 4 psc
Mounting	Wall mount

Mechanical Specifications

Height	60.15 mm
Width	81.6 mm
Length	121.4 mm (151.55 mm)
Gasket	Polyurethane Gasket

Protection Category

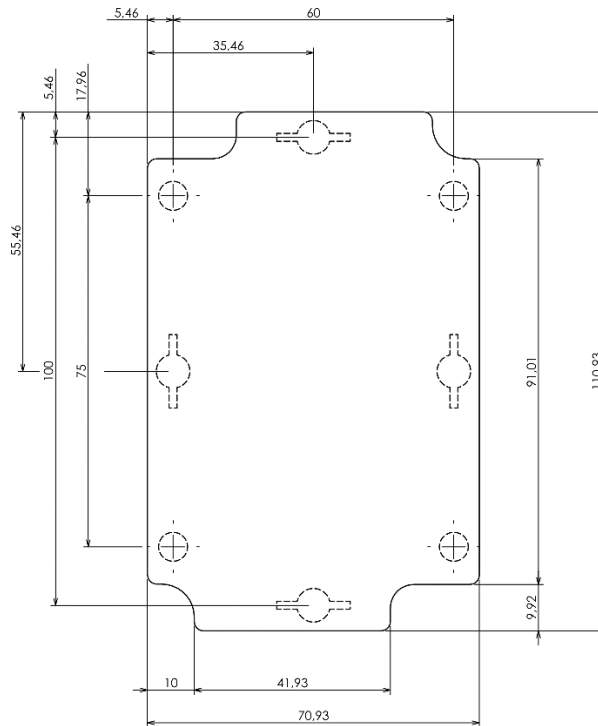
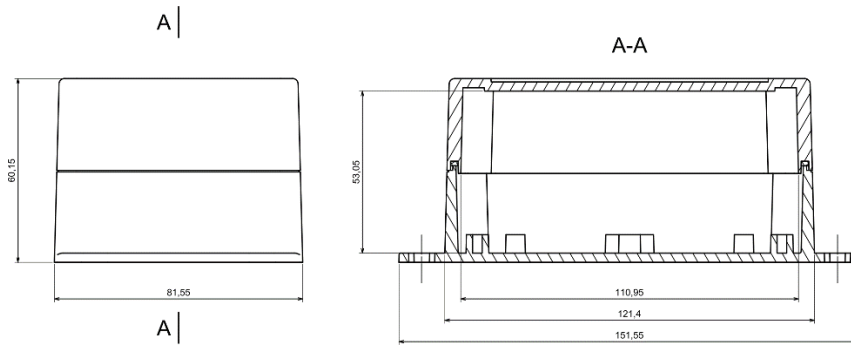
Protection level	IP67
-------------------------	------

Approvals

Declarations	CE
Standards Met	RoHS Compliant

Similar Products

Stock No.	Brand	Product Name	Colour	Material
2384020	RS PRO	Hermetic	Lightgrey Transparent	PC, Transparent PC
2384019	RS PRO	Hermetic	Lightgrey	PC



Dashed line shows outline of the mounting boss under PCB board
 Recommended mounting holes diameter $\varnothing 4\text{mm}$
 All dimensions are given within +/-0,5mm tolerance