

## FEATURES

- Operating temperature range is from - 60 °C to + 300 °C
- RoHS and REACH compliant
- Silicon free

# RS PRO ELBOW FEMALE ADAPTOR COMPRESSION

RS Stock No.: 2312577



RS PROfessionally Approved Products bring to you professional quality parts across all product categories. Our product range has been tested by engineers and provides a comparable quality to the leading brands without paying a premium price.

## Product Description

The RS PRO elbow female adaptor compression is made up of brass. The working pressures and working temperatures depend on which type of tube is used, for this reason, the values must be determined in accordance with the tube's features. Hereunder, we specify the values of the maximum pressure advised for the fittings at a temperature of 20° C connected with copper tube, which has a thickness of 1 mm. Here the tube size is 10 and corresponding maximum pressure advised is 94 bar.

## General Specifications

|                          |  |
|--------------------------|--|
| <b>Fitting Type</b>      | Elbow  |
| <b>Angle</b>             | 90°  |
| <b>Material</b>          | Brass  |
| <b>Fitting Direction</b> | Elbow  |
| <b>Application</b>       | Compressed Air, Pneumatic Automation, Industrial water circuits, Inert Gases, Fluids, Steam Vacuum |

## Mechanical Specifications

|                                     |                    |
|-------------------------------------|--------------------|
| <b>Pipe Fitting Connection Type</b> | Threaded           |
| <b>Connection 1</b>                 | M14 Metric Female  |
| <b>Connection Gender 1</b>          | Female             |
| <b>Thread Size 1</b>                | M14                |
| <b>Thread Standard 1</b>            | Metric             |
| <b>Connection 2</b>                 | 3/8 in BSPP Female |
| <b>Connection Gender 2</b>          | Female             |
| <b>Thread Size 2</b>                | 3/8 in             |
| <b>Thread Standard 2</b>            | BSPP               |
| <b>Length 1</b>                     | 34mm               |
| <b>Length 2</b>                     | 25mm               |
| <b>Wrench Size</b>                  | 14mm               |

## Operation Environment Specifications

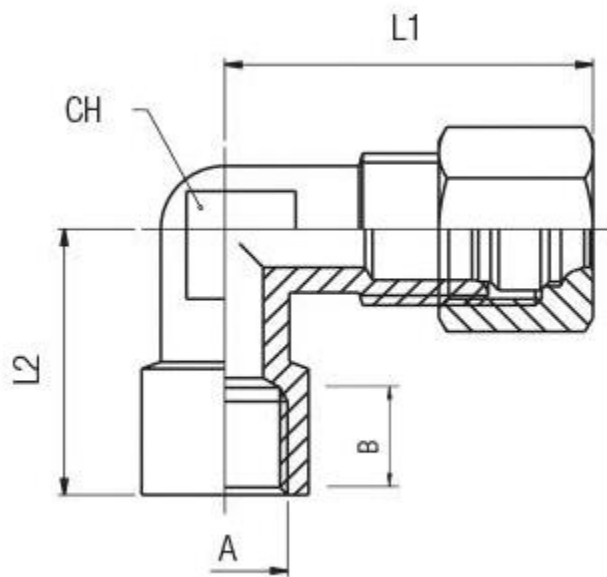
|             |             |             |
|-------------|-------------|-------------|
| Temperature | <b>Min.</b> | <b>Max.</b> |
|             | - 60°C      | + 300°C     |

## Approvals

|           |                          |
|-----------|--------------------------|
| Approvals | RoHS and REACH compliant |
|-----------|--------------------------|

## Similar Products

| Parameters                   | 2312588           | 2312589           |
|------------------------------|-------------------|-------------------|
| Brand                        | RS PRO            | RS PRO            |
| Pipe Fitting Connection Type | Threaded          | Threaded          |
| Connection 1                 | M14 Metric Female | M14 Metric Female |
| Connection Gender 1          | Female            | Female            |
| Thread Size 1                | M14               | M14               |
| Thread Standard 1            | Metric            | Metric            |
| Connection 2                 | 1/4 in BSPT Male  | 1/8 in BSPT Male  |
| Connection Gender 2          | Male              | Male              |
| Thread Size 2                | 1/4 in            | 1/8 in            |
| Thread Standard 2            | BSPT              | BSPT              |
| Length                       | 29.5mm            | 28mm              |
| Wrench Size                  | 14mm              | 11mm              |



| Tube | A   | B    | L1 | L2 | CH | Pack. |
|------|-----|------|----|----|----|-------|
| 10   | 3/8 | 10.5 | 34 | 25 | 14 | 10    |