

## FEATURES

- Female banana plug
- Silver-plated brass contact
- Keeps your cables and equipment safe
- Voltage rating: 50V
- Current rating: 10A
- Polypropylene insulation material to ensure a strong and durable plug
- Operating Temperature range of -20 to +147

# RS PRO Yellow Female Banana Connectors

**RS Stock No.:** 2121230



RS Professionally Approved Products bring to you professional quality parts across all product categories. Our product range has been tested by engineers and provides a comparable quality to the leading brands without paying a premium price.

## Product Description

Looking to make your own test leads, then RS PRO has the perfect addition in the female banana connector. This socket connector is the ideal solution for making test leads to your specification. Upon inspection, the socket offers high-grade plastic insulation with a centre contact made from silver-plated brass with a transfer termination method. It is suitable for panels up to 13.5 mm thickness and is designed to accommodate standard 4 mm insulated or non-insulated banana plugs.

## General Specifications

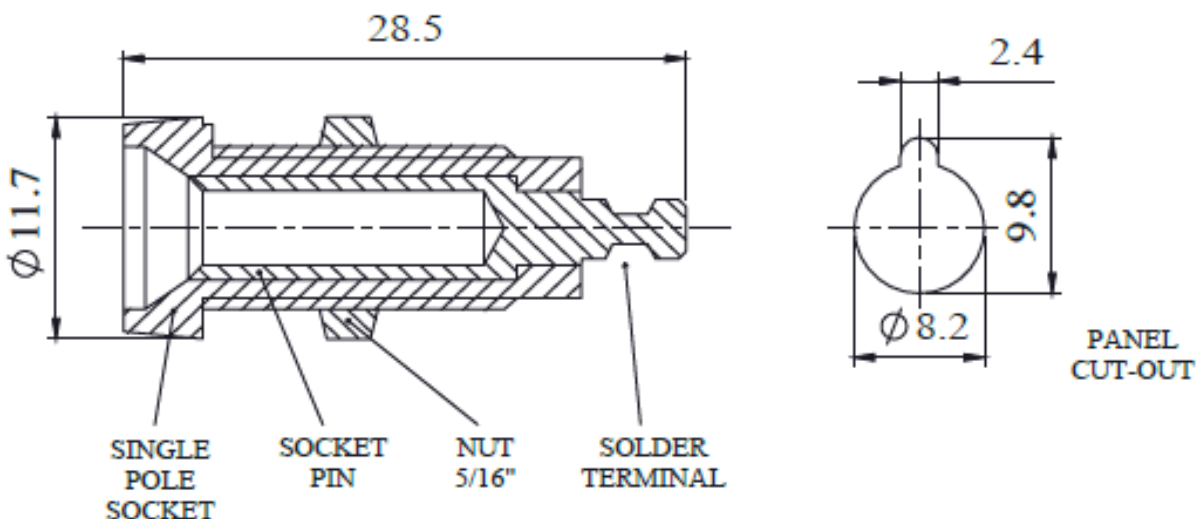
|                         |                      |
|-------------------------|----------------------|
| <b>Insulating shell</b> | Polypropylene        |
| <b>Socket</b>           | Brass, silver plated |
| <b>Nut</b>              | Brass, Nickel Plated |

## Electrical Specifications

|                                |                 |
|--------------------------------|-----------------|
| <b>AMPS</b>                    | 10A             |
| <b>Contact Resistance</b>      | 10 mΩ           |
| <b>Nominal Working Voltage</b> | 250 VOLTS R.M.S |
| <b>Temperature Range</b>       | +147°C to -20°C |
| <b>Recommended Temperature</b> | 10A @ 55°C      |
| <b>Rated Current</b>           | 10 A            |
| <b>Rated Voltage</b>           | 50 V            |

## Mechanical

|                                    |            |
|------------------------------------|------------|
| <b>Recommended Torque</b>          | 0.4Nm MAX  |
| <b>Recommended Panel Thickness</b> | 13.5mm MAX |



Note:UNLESS OTHERWISE SPECIFIED DIMENSIONS ARE IN MILLIMETRES

LINEAR & RADIAL TOLERANCE: NO DECIMAL PLACES 0.2mm

1 DECIMAL PLACE 0.1mm 2 DECIMAL PLACES 0.05mm

ANGULAR TOLERANCE: 1

THE FINISHED PRODUCT SHOULD BE CLEAN AND FREE FROM ALL LIQUIDS AND DEBRIS. SURFACES SHOULD BE OF UNIFORM APPEARANCE FREE FROM SHARP EDGES, BURRS AND CORROSION