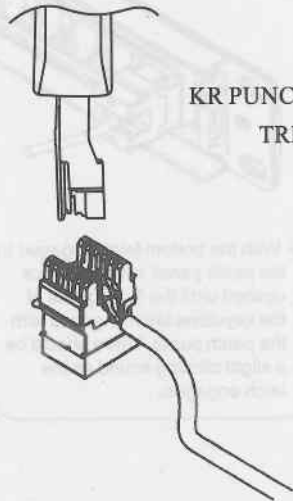


Termination

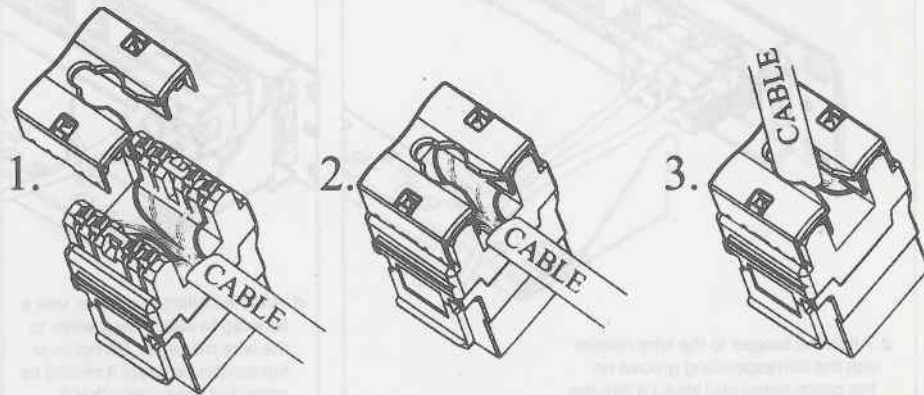


KR PUNCH DOWN TOOL
TRIM FLUSH.

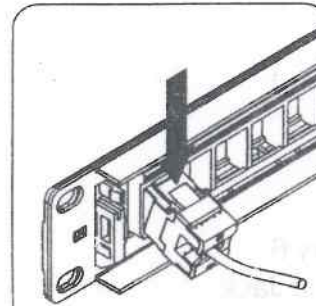
Category 6 Keystone Jack

MODULAR WIRING CONFIGURATION		
COLOR CODE	T568B	T568A
White-Blue	5	5
Blue	4	4
White-Orange	1	3
Orange	2	6
White-Green	3	1
Green	6	2
White-Brown	7	7
Brown	8	8

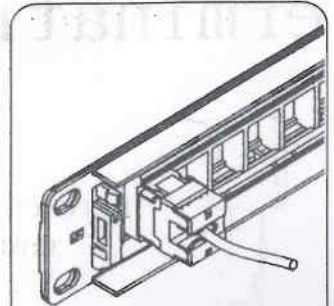
PATENT PENDING



Installing the Jacks

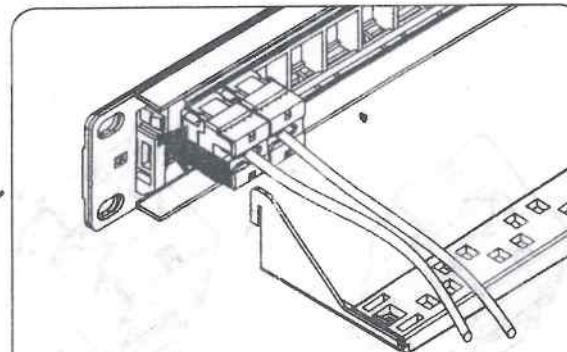


a. Insert the jack into its opening in the patch panel at an angle with the non-flexing side of the keystone latch facing down.

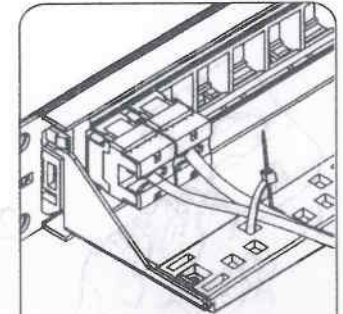


b. With the bottom latch engaged to the patch panel, rotate the jack upward until the flexing side of the keystone latch engages with the patch panel. There should be a slight clicking sound as the latch engages.

Installing the Wire Minder



c. Align the tongue of the wire minder with the corresponding groove on the patch panel and insert it into the groove.



d. After installing two jacks, use a tie wrap to attach their wires to the wire manager. Do not over tighten the tie wrap! It should be snug, but not so tight that it crushes the wires. Continue this until all the jacks have been installed.