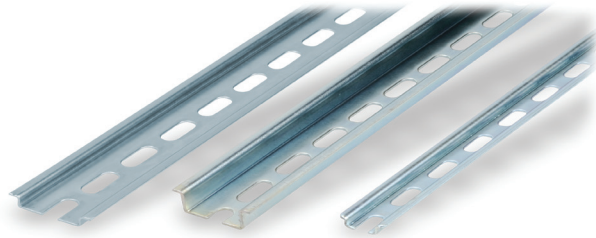


# DINnectors® Accessories

## Steel DIN Rails Features



### 35mm wide

- Available in 1-meter lengths
- 7.5 mm-high rails primarily used to mount terminal blocks, relays, timers and small PLCs such as the DL05, DL06, DL105, DL205, CLICK, and Productivity3000
- 15mm-high rails for mounting larger and heavier components such as contactors and larger PLCs

### 15mm wide

- Available in 1-meter lengths
- DN-R15S1 exclusively for mounting mini terminal blocks such as the DN-M10-A

	Part Number	Pcs/Pkg	Price/Pkg	Part#	Pcs/Pkg	Price/Pkg	Part Number	Pcs/Pkg	Price/Pkg
<b>DIN Rail</b>	<b>DN-R35S1</b>	10	\$28.00	<b>DN-R35HS1</b>	10	\$50.00	<b>DN-R15S1</b>	10	\$26.00
	<b>DN-R35S1-2</b>	2	\$9.25	<b>DN-R35HS1-2</b>	2	\$12.50	<b>DN-R15S1-2</b>	2	\$8.25
<b>Steel DINnectors Accessories Specifications</b>									
<b>Description</b>	Steel, slotted, 3'3" [1m] length, 35mm [1.38 in] wide, 7.5 mm [0.30 in] high			Steel, slotted, 3'3" [1m] length, 35mm [1.38 in] wide, 15mm [0.59 in] high			Steel, slotted, 3'3" [1m] length, 15mm [0.59 in] wide, 5.5 mm [0.22 in] high		
<b>Plating</b>	Zinc-plated and chromated								
<b>International Standards</b>	EN60715. RoHS								
<b>Suggested Mounting Screw Type</b>	M6			M6			M4		

## Aluminum DIN Rail Features



### 35mm wide

- Non-anodized finish
- Zinc plating and passivation (minimum thickness 6 microns)
- Lightweight, easy to cut and deburr
- Terminal blocks only
- Maximum mounting screw #10-32 or M5
- Available in 1-meter lengths

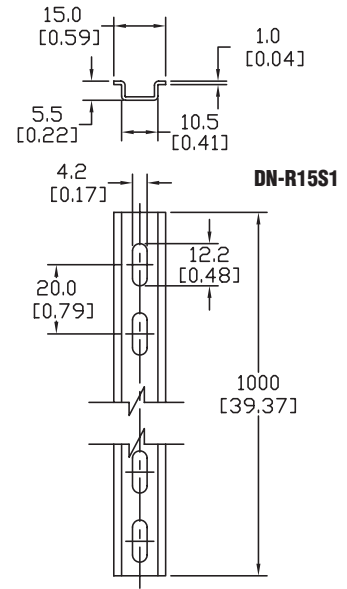
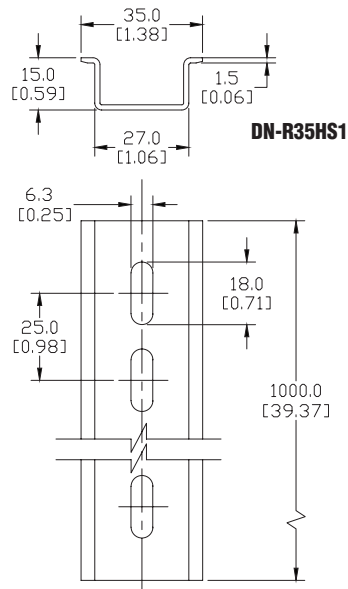
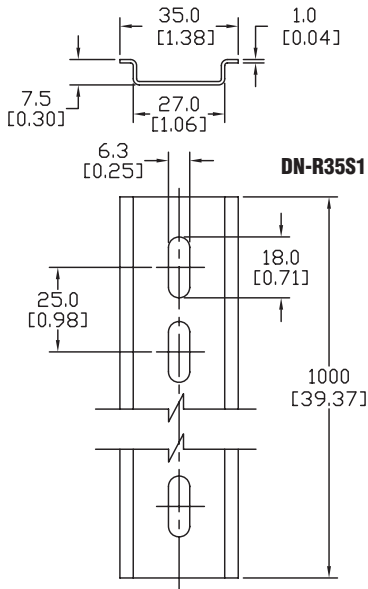
### 35mm wide raised

- Non-anodized finish
- Zinc plating and passivation (minimum thickness 6 microns)
- Enables users to raise terminal blocks 2¼" above the back panel
- Terminal blocks only
- Available in 1-meter lengths
- Bushing or grommet recommended for wire access hole (example Heyco UB-875 not sold by ADC)

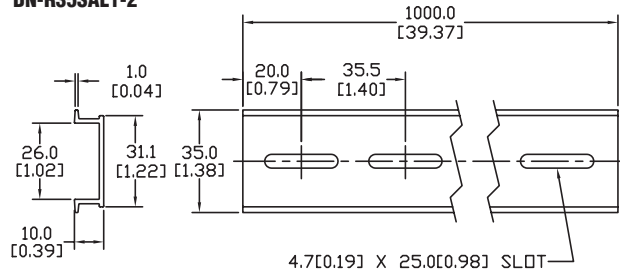
	Part Number	Pcs/Pkg	Price/Pkg	Part Number	Pcs/Pkg	Price/Pkg
<b>DIN Rail</b>	<b>DN-R35SAL1</b>	10	\$38.50	<b>DN-R35SAL2-2</b>	2	\$25.00
	<b>DN-R35SAL1-2</b>	2	\$8.25			
<b>Aluminum DIN Rail Specifications</b>						
<b>Description</b>	Aluminum, slotted, 3'3" [1m] length, 35mm [1.38 in] wide, 10mm [0.39 in] high			Aluminum, slotted, 3'3" [1m] length, 35mm [1.38 in] wide, 58mm [2.28 in] high		
<b>Plating</b>	Galvanic zinc plating, non-anodized finish					
<b>International Standards</b>	DIN 50960, RoHS					
<b>Suggested Mounting Screw Type</b>	#10-32 or M5					

# DINnectors<sup>®</sup> Accessories

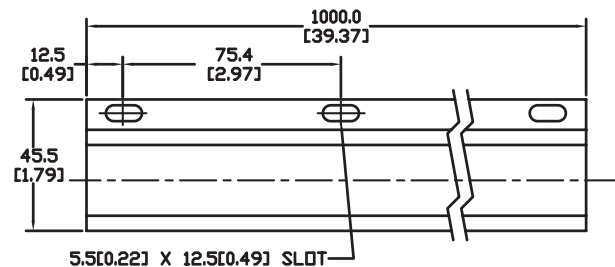
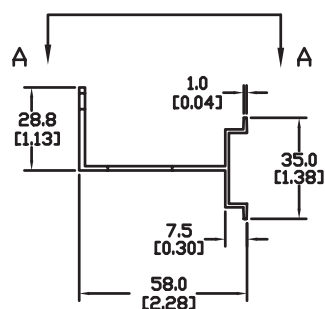
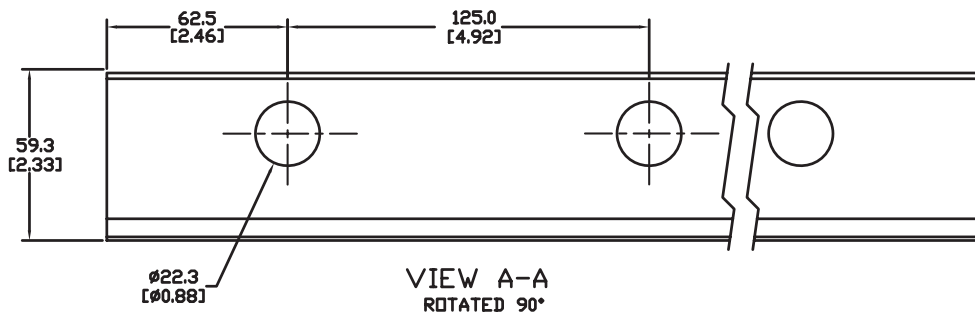
Dimensions mm [inches]



**DN-R35SAL1  
DN-R35SAL1-2**



**DN-R35SAL2-2**



# **DINnectors** Accessories

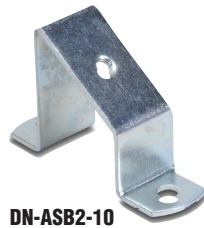
## DIN rail support brackets

- Angled support brackets raise and tilt mounting rails 30 degrees from mounting surface for easier wiring
- DN-ASB1 plated steel support bracket
- DN-ASB2-10 cold-rolled steel treated with galvanic zinc plating and passivation

## DIN rail mounting clips

- Snap small devices not made for mounting onto 35mm DIN rails
- Zinc plated steel

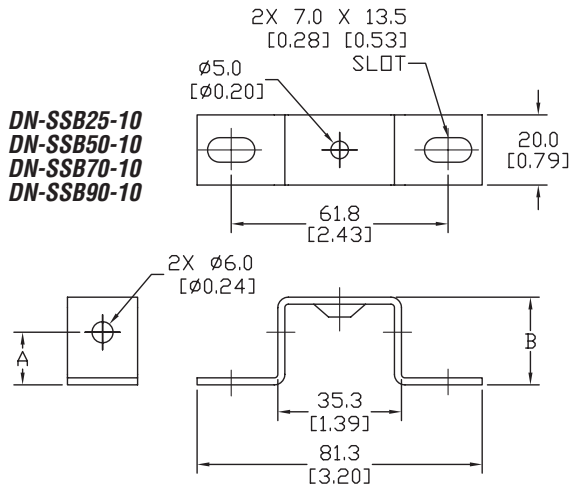
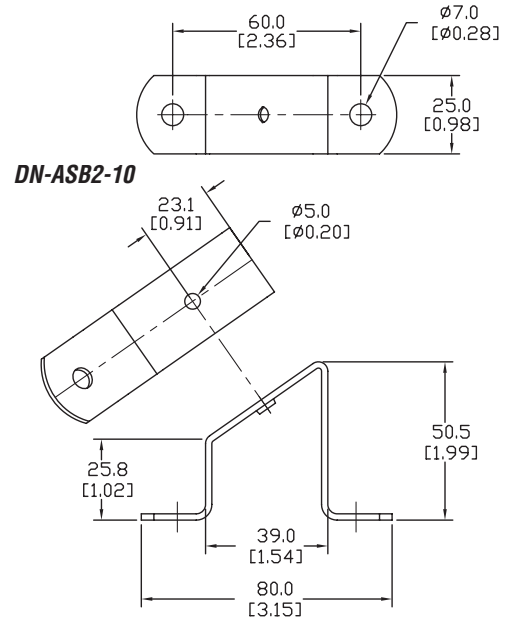
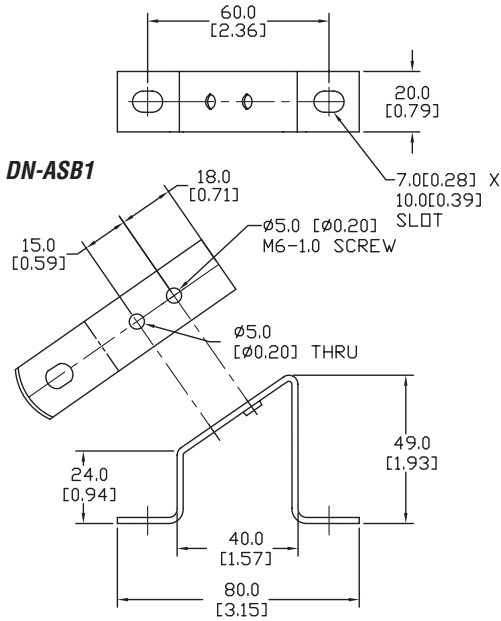
DIN Rail Support Brackets and Mounting Clips			
Part Number	Description	Pcs/Pkg	Price Each
<b>DN-ASB1</b>	30° angled DIN rail support bracket (M6-1.0 screws not included)	50	\$50.00
<b>DN-ASB2-10</b>	30° angled DIN rail support bracket (M6-1.0 screws included)	10	\$13.50
<b>DN-SSB25-10</b>	1" [25mm] DIN rail support bracket (M6-1.0 screws included)	10	\$18.50
<b>DN-SSB50-10</b>	2" [50mm] DIN rail support bracket (M6-1.0 screws included)	10	\$19.50
<b>DN-SSB70-10</b>	2.75" [70mm] DIN rail support bracket (M6-1.0 screws included)	10	\$24.50
<b>DN-SSB90-10</b>	3.5" [90mm] DIN rail support bracket (M6-1.0 screws included)	10	\$25.00
<b>DN-CLIP-FM4</b>	DIN rail mounting clip with M4 x 0.7 mm threaded hole (Screws not included)	40	\$47.50
<b>DN-CLIP-FM4-5</b>		5	\$7.25
<b>DN-CLIP-FM5</b>	DIN rail mounting clip with M5 x 0.8 mm threaded hole (Screws not included)	40	\$52.00
<b>DN-CLIP-FM5-5</b>		5	\$7.25



# DINnectors® Accessories

## DIN Rail Support Brackets and Mounting Clips

### Dimensions mm [inches]



DIN Rail Support Brackets		
Part Number	DIM A mm [inches]	DIM B mm [inches]
<b>DN-SSB25-10</b>	15.0 [0.59]	25.0 [0.98]
<b>DN-SSB50-10</b>	40.0 [1.58]	50.0 [1.97]
<b>DN-SSB70-10</b>	60.0 [2.36]	70.0 [2.76]
<b>DN-SSB90-10</b>	80.0 [3.15]	90.0 [3.54]

