



ENGLISH

Datasheet

# RS Pro Grey F2000 Control Panel Trunking DIN Halogen Free W50XH50

RS Stock No: 136-9166

The control panel trunking DIN halogen-free is manufactured with extrusion method and made of a blend of polycarbonate and ABS. It is then punched.

## Properties:

**Material:** PC/ ABS blend, free of halogen, silicon and cadmium (RoHS conform)  
**Operation temperature:** static: -25°C...+90°C (permanently)  
-30°C...+110°C (briefly)  
dynamic: -5°C...+60°C

**Processing temperature:** >0°C

<b>Fire behaviour:</b>	hard to inflame	DIN 4102	Level B1
	self-extinguishing	UL94	V0
	flammability class	DIN 5510-2	S4
	flammability class	NF F 16-101	M1
	smoke emission classification	DIN 5510-2	SR2
	smoke emission	EN ISO 5656-2	$D_{s,max} = 40$ (HL3)
	drop-ability class	DIN 5510-2	ST2
	flue gas density and toxicity	NF F 16-101	F2
	toxicity	NF X 70-100	CIT = 0,09 (HL3)
	oxygen index	ISO 4589-2	30,6% (HL2)
	fire load		5,2 kWh/kg

**Classification** according to DIN EN 45545-2 (R22/R23) by total Hazard Level 2 (HL2)

**Dielectric strength:** >30kV/mm

**UV- resistance:** PC/ ABS blend is partly UV- resistant, colour changes in case of UV- exposure cannot be excluded

**Colour:** RAL 7035 grey

**Delivery lengths:** 2 m incl. cover

## Specific Features:

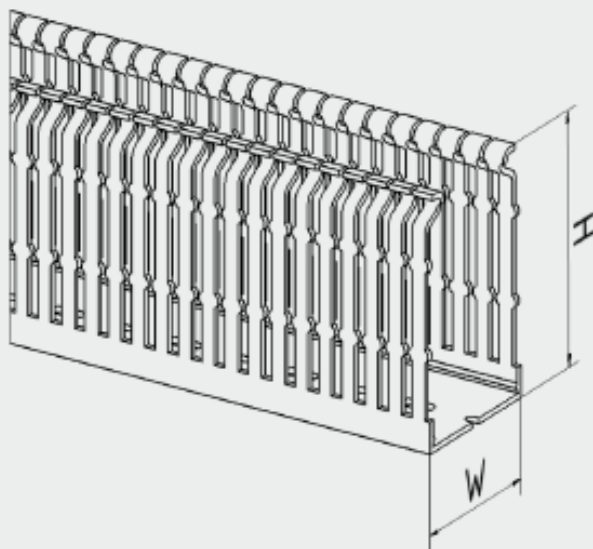
- cover contour 90°
- cable hold- back noses from installation height 75 mm onwards
- slid width 7,5 mm; slot width 5 mm
- notch points at the slids and base of trunking
- perforated base according to DIN 50085-2-3, identical punch picture for each length
- 3- lane perforated base from width 75 mm upwards
- for accessories and further information please visit our homepage [www.licatec.de](http://www.licatec.de)



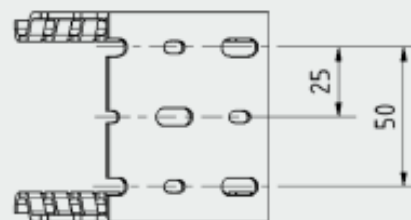
# Datasheet

**Dimensions:**

DIN- HF	Height (H) mm	Width (W) mm					
	25	25					
37,5	25	37,5	50				
50	25	37,5	50	75	100		
75	25	37,5	50	75	100	125	



**Width 75 upwards**



**Up to width 50**

