

## FEATURES

- Heavy duty steel construction
- Automatic hose reel. Both ratchet and free run operating
- Spring protector
- Temperature range -5°C to +60°C
- Supplied with wall and ceiling bracket
- High quality Polyurethane braid hose.
- Coupling of Inlet is 360° rotation
- Stopper can adjust the length of hose remaining outside the reel.
- Used for automatic maintenance and manufacturing facilities, etc...

## RS PRO Air Hose Reel 3/8 x 10m 3/8 in BSPT, Spring Driven

RS Stock No.: 2318582



RS Professionally Approved Products bring to you professional quality parts across all product categories. Our product range has

been tested by engineers and provides a comparable quality to the leading brands without paying a premium price.

### Product Description

Brought to you by RS Pro, a range of professional polyurethane braid air hoses, suitable for various applications. The highlight of these hoses would be the handy automatic hose reel, which would be a god send in environments where a particular length is needed, or situations where hoses won't have to be gathered up after use. All models are highly reliable and excellent quality.

### General Specifications

<b>Case Material</b>	Heavy duty steel with powder paint coating
<b>Case Color</b>	Yellow
<b>Hose Material</b>	Polyurethane
<b>Hose Color</b>	Blue
<b>Number of Tubes</b>	2 (inset hose / outset hose)
<b>Number of Fitting</b>	2 (inset hose / outset hose)
<b>Fitting type</b>	Fixed type
<b>Fitting Thread</b>	BSPT
<b>Application</b>	Spring Driven Wall Mounting Coupling of Inlet is 360° rotation

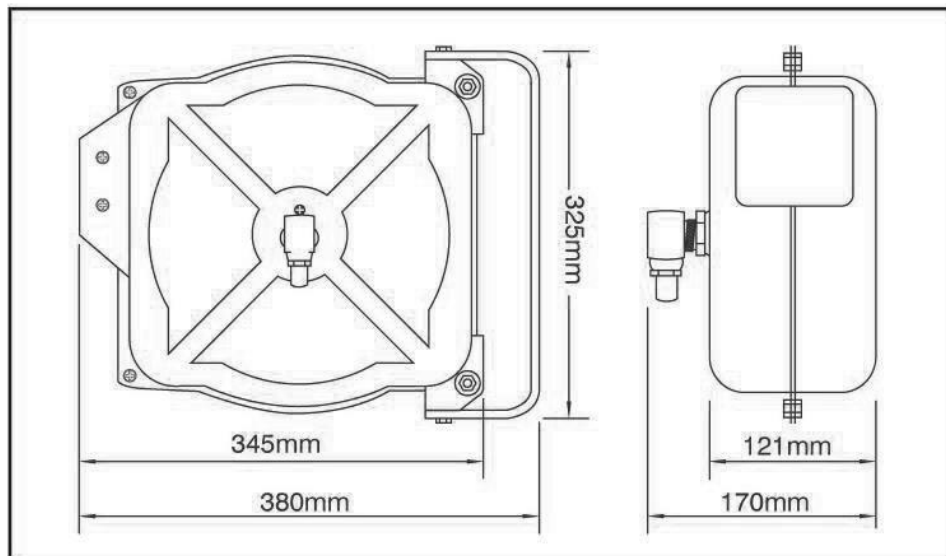
### Mechanical Specifications

<b>Hose Inside Diameter</b>	9.5mm (3/8")
<b>Hose Outside Diameter</b>	14.5mm (0.57")
<b>Hose Length – Inset</b>	1m
<b>Hose length – Outset</b>	10m
<b>Fitting Thread Size</b>	3/8" BSPT Male fitting

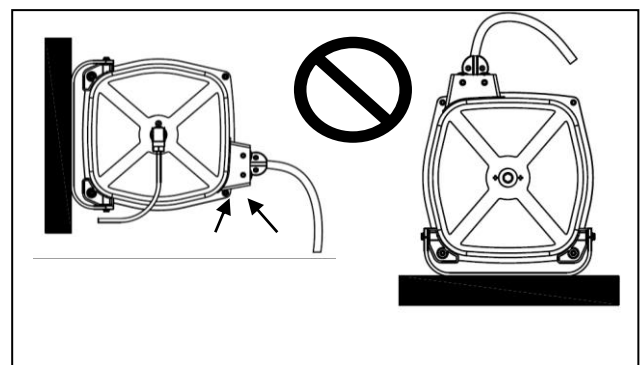
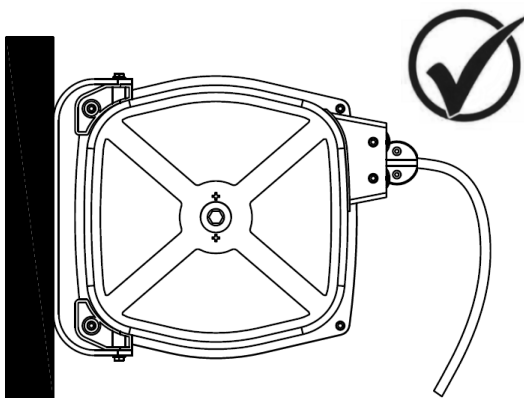
### Electrical Specifications

<b>Applications</b>	Automatic maintenance, Manufacturing facilities, etc...
<b>Applications</b>	Works with suitable pneumatic tools
<b>Working Temperature</b>	-5°C to +60°C
<b>Working Pressure</b>	15kgs
<b>Burst Pressure</b>	60kgs
<b>Weight (N.W.)</b>	9.5kgs
<b>Packing Dimension</b>	38 x 18 x 32 cm

### Dimension Drawing



### Installation



References for the same series as below

Article No	Hose ID	Hose Length (inlet)	Hose Length (outlet)	W.P	B.P	Thread Size (inlet+outlet)	Weight (N.W.)
788-3739	8mm	1M	10M	15bar	60bar	1/4"+1/4"	9kgs
788-3732	8mm	2M	10M	15bar	60bar	3/8"+3/8"	9kgs
788-3736	8mm	1M	15M	15bar	60bar	1/4"+1/4"	9kgs