

**PERFORMANCE SPECIFICATIONS
(TYPICAL VALUES)**

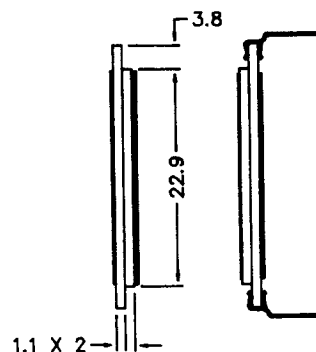
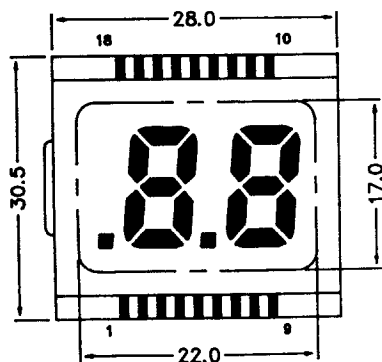
| DISPLAY TYPE | | WIDE TEMPERATURE |
|-----------------------------|------------|------------------|
| ITEMS | | |
| OPERATING VOLTAGE | | 5.0 V |
| MAX. DC COMPONENT ALLOWABLE | | 50 mA |
| VIEWING ANGLE | HORIZONTAL | ±35° |
| | VERTICAL | +40°/-10° |
| OPERATING TEMPERATURE (°C) | | -30 TO 80 |
| STORAGE TEMPERATURE (°C) | | -40 TO 85 |

TYPICAL ENVIRONMENTAL TESTS

| ITEMS | DISPLAY TYPE | WIDE TEMPERATURE GRADE |
|------------------------------|--------------|---|
| UPPER TEMPERATURE STORAGE | | 85°C / 240 HRS |
| LOWER TEMPERATURE STORAGE | | -40°C / 240 HRS |
| UPPER TEMPERATURE OPERATION | | 80°C / 240 HRS |
| LOWER TEMPERATURE STORAGE | | -30°C / 240 HRS |
| HIGH HUMIDITY | | 60°C 90%RH / 240 HRS |
| THERMAL SHOCK X 10 CYCLES | | -30°C ↔ 25°C ↔ 85°C 30 MINS. 10 MINS. 30 MINS. |
| EXPECTED LIFE | | 100,000 HRS |

NO NOTICEABLE CHANGES IN EXTERNAL APPEARANCE OR FUNCTION ARE TO BE FOUND AFTER ABOVE TESTS

5080



| PIN | COM | PIN | COM |
|-----|-----|-----|-----|
| 1 | COM | 10 | 2B |
| 2 | DP1 | 11 | 2A |
| 3 | 1E | 12 | 2F |
| 4 | 1D | 13 | 2G |
| 5 | 1C | 14 | 1B |
| 6 | DP2 | 15 | 1A |
| 7 | 2E | 16 | 1F |
| 8 | 2D | 17 | 1G |
| 9 | 2C | 18 | COM |

