

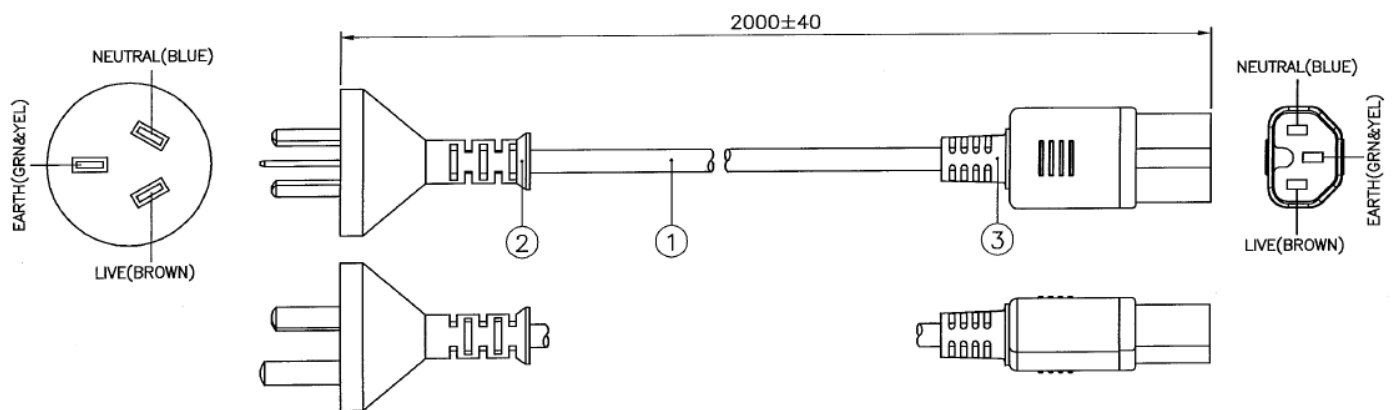
# Datasheet

## Chinese Power Supply Cord Set

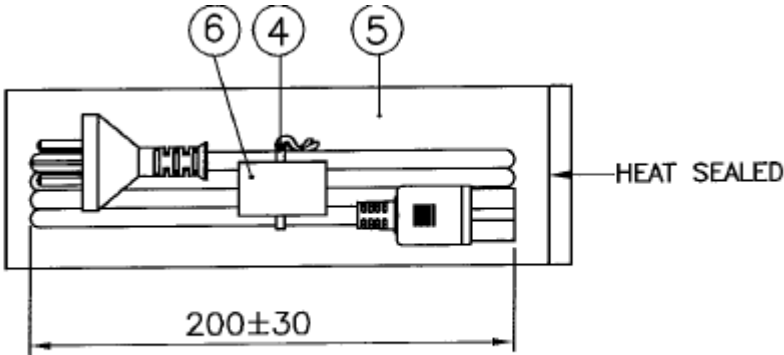
RS Stock number 909-2187

### Note:

- All dimensions in mm.
- The cord shall comply with GB/T5013-2008.
- The molded plug shall comply with GB2099.1-2008 & GB1002-2008.
- The molded connector shall comply with GB17465.1.
- The cordset shall comply with China RoHS.



S/N	Description	Item Number	Qty.
1	YZ 300/500 3x0.75 blk (ccc)	3213009	1
2	Molded Plug V3203C (10A 250V)	V3203C-AR	1
	IP60G NL7976B blk	4100115	-
3	Molded Connector VSCC15 (10A 250V)	VSCC15-BKR	1
	IP60G NL7976B blk	4100115	-



**APPROVED SOURCE FOR CABLE**  
 1. TA TUN(DONG GUAN).

S/N	Description	Item Number	Qty.
4	6" PE TIE blk	6310056	1
5	Bag LDPE 283x114x0.05	904028	1
6	Printed Label	VL-0538	1