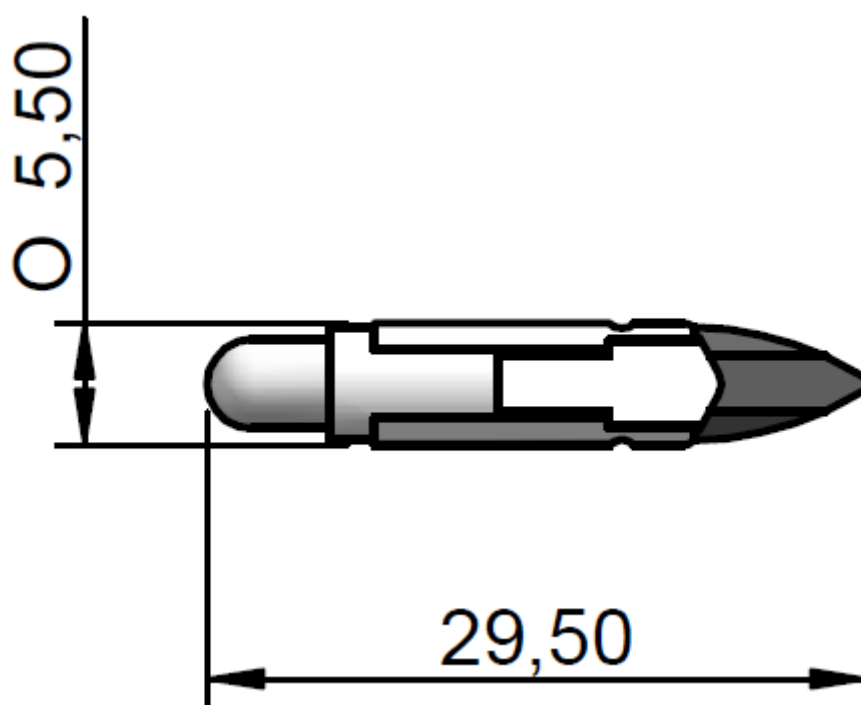


# Datasheet

## Telephone Slide LED Indicator Lamp

RS Stock number 203-739

Dimensions (mm):



|                  |                 |                          |                 |           |         |
|------------------|-----------------|--------------------------|-----------------|-----------|---------|
| LED/Multiled     | LED             | Optimum voltage (V)      | 48vdc           | Intensity | 1500mcd |
| Mounting Size    |                 | Rectifier                |                 |           |         |
| Mounting Finish  |                 | AC current               |                 |           |         |
| Protection       |                 | DC current               | 15mA            |           |         |
| Mount Holder     | T5.5 Slide Base | Voltage Tolerance(%)     | 10%             |           |         |
| Chip Qty         | 1               | Optimum temperature (°C) | -30°C...+60°C   |           |         |
| Indicator colour | White           | Storage temperature (°C) | -30°C...+60°C   |           |         |
| Wavelength (nm)  |                 | Contact Tab x 2          | T5.5 Slide Base |           |         |



Dimension in mm (typical), not to scale.  
We reserve the right to make changes without further notice to this product to improve reliability, function or design.