

Evaluating the **ADM3058E** 5.7 kV rms, Signal Isolated, Basic CAN FD Transceiver

FEATURES

ADM3058E 12 Mbps isolated CAN FD transceiver

2-layer PCB with low radiated emissions, passes EN 55022 Class B

On-board LDO regulators for 6 V to 9 V supply, providing 5 V to the **ADM3058E** V_{DD1} pin and V_{DD2} pin

Screw terminal connectors for the following

6 V to 9 V LDO regulator, 5 V power supply to V_{DD1} pin

1.7 V to 5.5 V direct power supply to V_{DD1} pin

6 V to 9 V LDO regulator, 5 V power supply to V_{DD2} pin

4.5 V to 5.5 V direct power supply to V_{DD2} pin

TXD pin, RXD pin, CANH pin, CANL pin signals

Divided PCB return planes for GND₁ and GND₂

SMA connectors for TXD pin and RXD pin signals

EVALUATION KIT CONTENTS

EVAL-ADM3058EEBZ evaluation board

ADM3058EBRIZ

ADP7104

LTC6900

DOCUMENTS NEEDED

ADM3058E data sheet

GENERAL DESCRIPTION

The EVAL-ADM3058EEBZ allows the user to evaluate the **ADM3058E** isolated signal and power transceiver for controller area network (CAN) or CAN with flexible data rate (CAN FD) networks. The EVAL-ADM3058EEBZ allows all of the input and output functions to work without the need for external components.

Based on the Analog Devices, Inc., iCoupler® technology, the **ADM3058E** integrates logic side on/off keying (OOK) signal isolation channels and a low loop delay, high data rate, CAN FD transceiver.

The EVAL-ADM3058EEBZ is populated with the 8-lead standard small outline package, with increased creepage (SOIC_IC) and >8 mm creepage.

Full specifications of the **ADM3058E** can be found in the **ADM3058E** data sheet, available from Analog Devices, which must be consulted in conjunction with this user guide when using the EVAL-ADM3058EEBZ.

EVAL-ADM3058EEBZ PHOTOGRAPH



Figure 1.

23486-001

TABLE OF CONTENTS

Features	1	Printed Circuit Board (PCB) Layout Recommendations.....	3
Evaluation Kit Contents.....	1	EN 55022 Radiated Emissions Test Results	3
Documents Needed.....	1	Evaluation Board Schematic and Artwork.....	4
General Description	1	Ordering Information.....	6
EVAL-ADM3058EEBZ Photograph	1	Bill of Materials.....	6
Revision History	2	Related Links.....	6
Evaluation Board Hardware.....	3		
Using the Evaluation Board	3		

REVISION HISTORY

7/2020—Revision 0: Initial Version

EVALUATION BOARD HARDWARE USING THE EVALUATION BOARD

The EVAL-ADM3058EEBZ board can evaluate the full range of the isolated CAN FD transceiver functionality. The bus and logic side of the transceiver can be powered by independent, isolated power supplies. The board is intended for evaluation of the *iCoupler* isolation technology, but has not been safety certified for high voltage operation. If voltages greater than 60 V are applied to either the bus or logic side of the evaluation board, external safety measures appropriate for user protection must be in place.

Figure 1 shows the EVAL-ADM3058EEBZ. The V_{DD1} and V_{DD2} supply pins of the ADM3058E device must be supplied with input power. The V_{DD1} pin and the V_{DD2} pin can be powered directly or through the fixed output, 5 V, on-board low dropout (LDO) regulators. The V_{DD1} side LDO regulator input supply requires a power supply voltage of 6 V to 9 V and connects to Pin 1 of Screw Terminal P3 (marked VIN_LDO1 on the silkscreen) and Pin 2 of Screw Terminal P3 (marked RTN_LDO1 on the silkscreen). The V_{DD2} side LDO regulator input supply also requires a power supply voltage of 6 V to 9 V but connects to Pin 1 of Screw Terminal P6 (marked VIN_LDO2 on the silkscreen) and Pin 2 of Screw Terminal P6 (marked RTN_LDO2 on the silkscreen).

The ADP7104 and LT3012 LDO regulators both feature reverse current protection on the output of the device. Reverse current protection allows the user to apply power directly to the ADM3058E V_{DD1} and V_{DD2} pins without modification to the circuit. This feature can also be useful in an application where alternate power sources may be available. Additionally, the LT3012 is protected against reverse voltages to the input power pin. This LT3012 feature can be used in conjunction with the ADM3058E device bus fault tolerance to protect the circuit against miswire damage in applications where the supply power and CAN bus connections are manually wired.

PRINTED CIRCUIT BOARD (PCB) LAYOUT RECOMMENDATIONS

Place a 0.1 μ F capacitor as close as possible to V_{DD1} and GND₁ and another 0.1 μ F capacitor as close as possible to V_{DD2} and GND₂ to minimize impedance, as shown in the layout example for the EVAL-ADM3058EEBZ (see Figure 2).

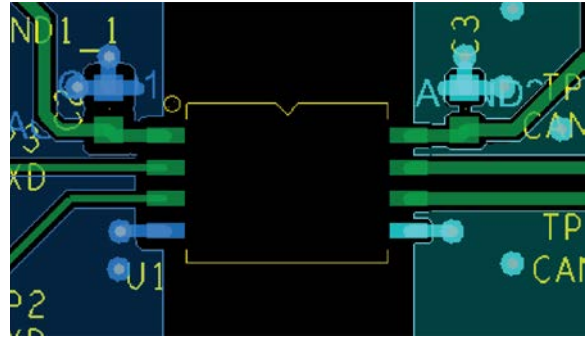


Figure 2. Layout Example for the EVAL-ADM3058EEBZ

EN 55022 RADIATED EMISSIONS TEST RESULTS

The EVAL-ADM3058EEBZ passes the EN 55022 Class B standard.

The EVAL-ADM3058EEBZ is configured and tested with a 5 V power supplied to the V_{DD1} pin from the ADP7104 regulator output and the V_{DD2} pin from the LT3012 regulator output. The on-board LTC6900 generates the clock signal input to the TXD pin and is set to a given frequency with the on-board potentiometer. Battery packs with short leads are used for emissions testing to supply the ADP7104 regulator and the LT3012 regulator inputs.

Figure 3 shows the measurements carried out according to the EN 55032 Class B standard in a semianechoic chamber at 10 m from 30 MHz to 1 GHz. Figure 3 shows the results of the peak horizontal scan (the worst case). These results demonstrate that the ADM3058E has a greater than 6.0 dB margin below EN 55032 Class B limits on a 2-layer PCB.

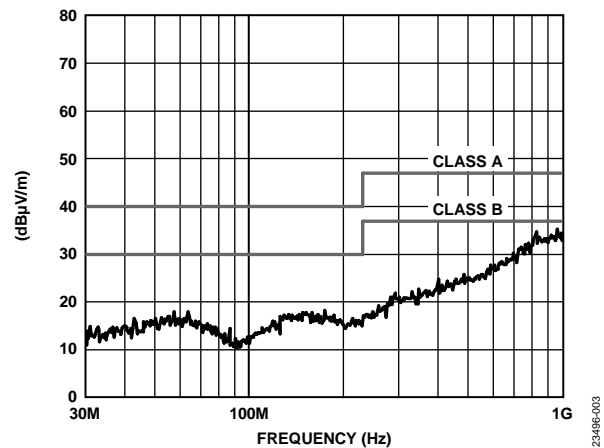


Figure 3. Horizontal Scan from 30 MHz to 1 GHz with 12 Mbps Signal to TXD with 60 Ω Termination

EVALUATION BOARD SCHEMATIC AND ARTWORK

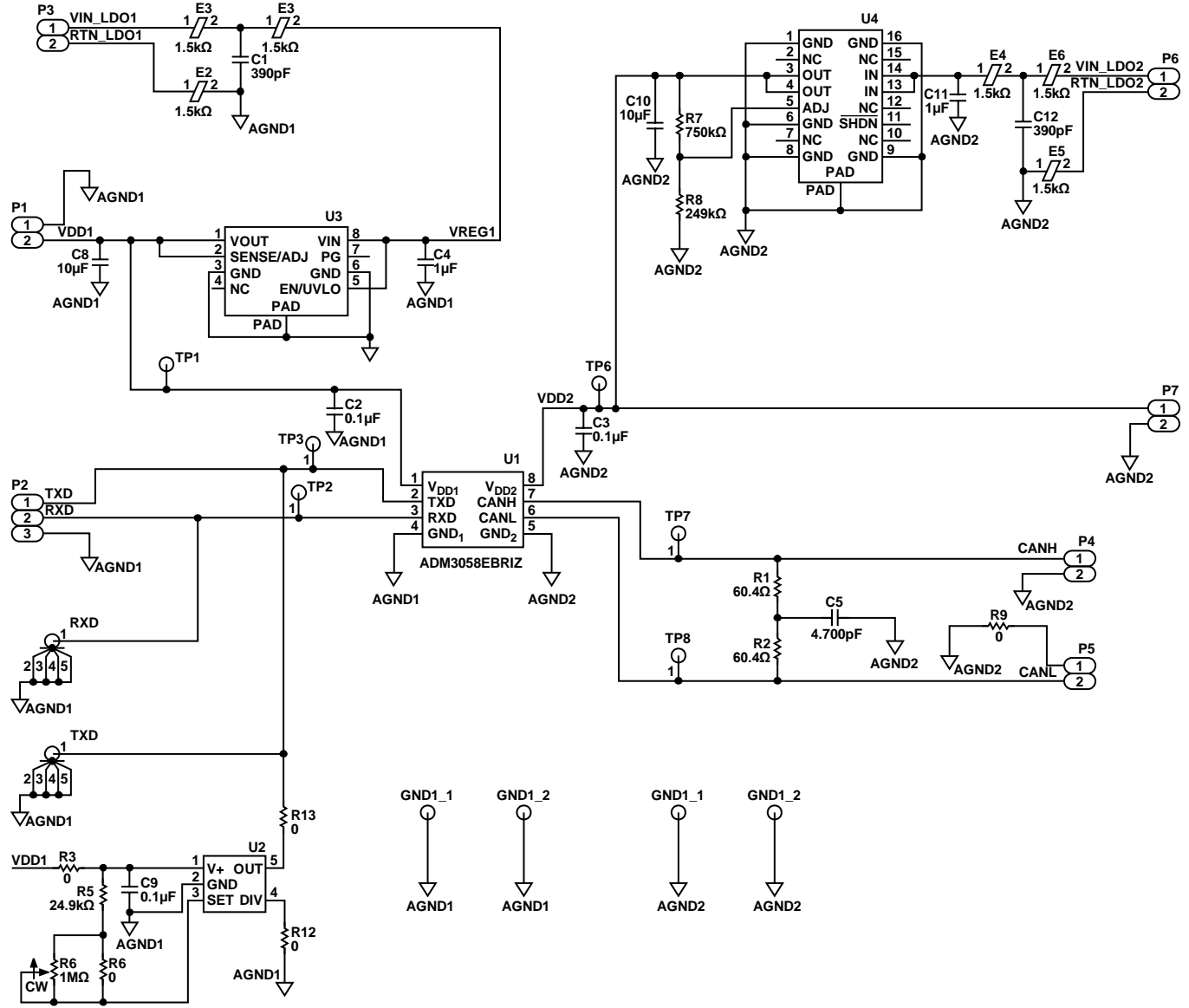


Figure 4. EVAL-ADM3058EEBZ Schematic

23485e-004

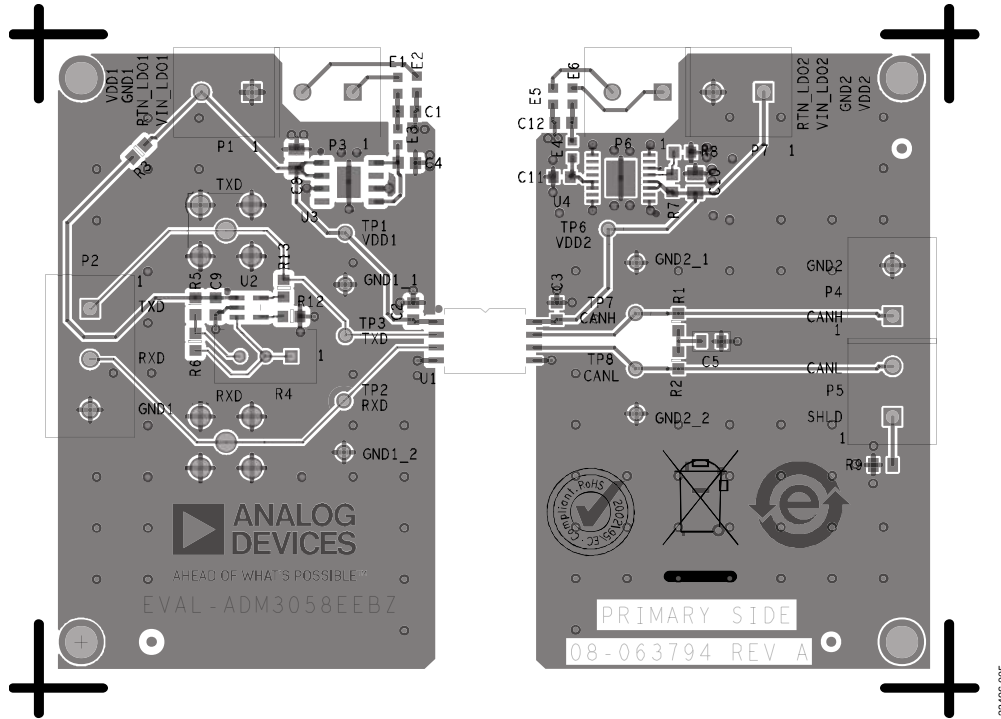


Figure 5. EVAL-ADM3058EEBZ Top Layer and Silkscreen

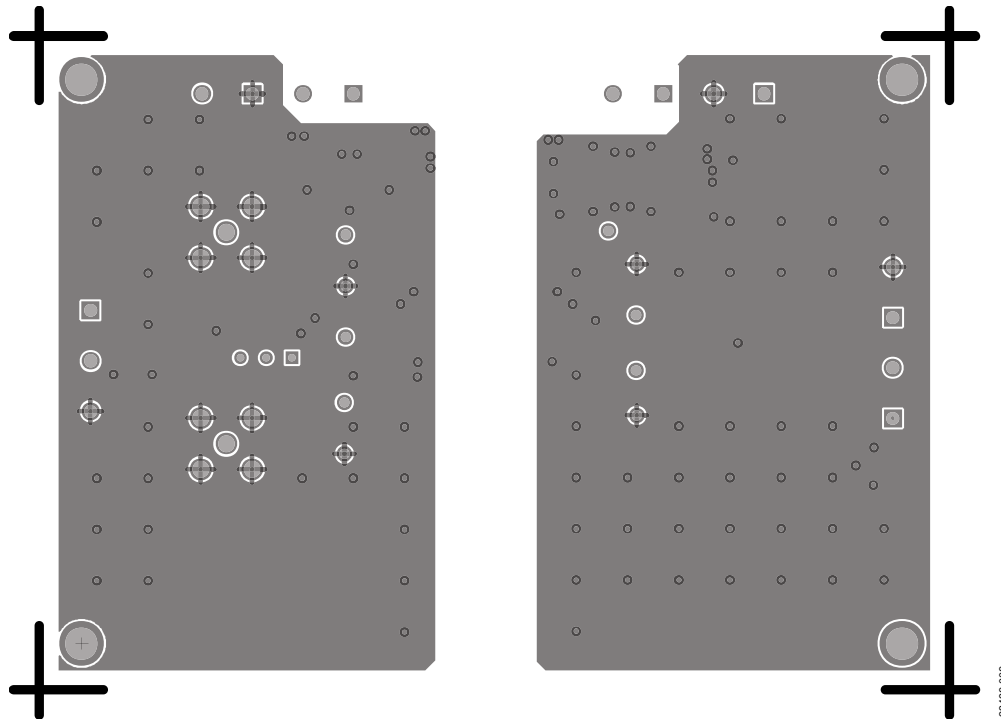


Figure 6. EVAL-ADM3058EEBZ Bottom Layer

ORDERING INFORMATION

BILL OF MATERIALS

Table 1.

Component	Description	Supplier	Part No.
U1	5.7 kV rms, signal isolated, basic CAN FD transceiver	Analog Devices	ADM3058EBRIZ
U2	Low power, resistor set oscillator, 1 kHz to 20 MHz	Analog Devices	LTC6900CS5#PBF
U3	Low noise, CMOS, LDO regulator, 5.0 V output voltage	Analog Devices	ADP7104ARDZ-5.0-R7
U4	Low dropout, micropower linear regulator	Analog Devices	LT3012EFE#PBF
C12	Capacitors, 390 pF, X7R, 0603	AVX	0603YC391KAT2A
C8, C10	Capacitors, 10 μF, X7R, 0805	Würth Electronik	885012207026
C4, C11	Capacitors, 1 μF, X7R, 0603	Würth Electronik	885012206076
C2, C3, C9	Capacitors, 0.1 μF, X7R, 0603	Würth Electronik	885012206046
C5	Capacitor, 4700 pF, X7R, 0805	Würth Electronik	885012207090
E1, E2, E3, E4, E5, E6	Ferrite beads, 1500 Ω, 0603	Murata	BLM18HE152SN1D
TXD, RXD	Connector, subminiature Version A (SMA)	TE Connectivity	5-1814832-1
P1, P3, P4, P5, P6, P7	Connectors, 2-position screw terminal block	Würth Electronik	691 213 710 002
P2	Connector, 3-position screw terminal block	Würth Electronik	691213710003
R1, R2	Resistors, 60.4 Ω, 1/10 W, 0603	Panasonic	ERJ-3EKF60R4V
R12	Resistor, 0 Ω, 1/10 W, 0603	Panasonic	ERJ-3GEY0R00V
R7	Resistor, 750 kΩ, 1/10 W, 0603	Panasonic	ERJ-3EKF7503V
R8	Resistor, 249 kΩ, 1/10 W, 0603	Panasonic	ERJ-3EKF2493V
TP1, TP2, TP3, TP6, TP7, TP8	Orange test points	Keystone	5003
GND1_1, GND1_2, GND2_1, GND2_2	Black test points	Vero	20-2137
R3, R6, R13	Resistors, 0 Ω, 1/10 W, 0603 (do not install, DNI)	Panasonic	ERJ-3GEY0R00V
R4	Potentiometer, 1 MΩ (DNI)	Bourns	3296W-1-105LF
R5	Resistor, 24.9 kΩ, 1/10 W, 0603 (DNI)	Panasonic	ERA-3AEB2492V
R9	Resistor, 0 Ω, 1/10 W, 0805 (DNI)	Panasonic	ERJ-6GEY0R00V

RELATED LINKS

Resource	Description
ADM3058E	5.7 kV rms, signal isolated, basic CAN FD transceiver
AN-1123	Controller area network (CAN) implementation guide

NOTES

**ESD Caution**

ESD (electrostatic discharge) sensitive device. Charged devices and circuit boards can discharge without detection. Although this product features patented or proprietary protection circuitry, damage may occur on devices subjected to high energy ESD. Therefore, proper ESD precautions should be taken to avoid performance degradation or loss of functionality.

Legal Terms and Conditions

By using the evaluation board discussed herein (together with any tools, components documentation or support materials, the "Evaluation Board"), you are agreeing to be bound by the terms and conditions set forth below ("Agreement") unless you have purchased the Evaluation Board, in which case the Analog Devices Standard Terms and Conditions of Sale shall govern. Do not use the Evaluation Board until you have read and agreed to the Agreement. Your use of the Evaluation Board shall signify your acceptance of the Agreement. This Agreement is made by and between you ("Customer") and Analog Devices, Inc. ("ADI"), with its principal place of business at One Technology Way, Norwood, MA 02062, USA. Subject to the terms and conditions of the Agreement, ADI hereby grants to Customer a free, limited, personal, temporary, non-exclusive, non-sublicensable, non-transferable license to use the Evaluation Board FOR EVALUATION PURPOSES ONLY. Customer understands and agrees that the Evaluation Board is provided for the sole and exclusive purpose referenced above, and agrees not to use the Evaluation Board for any other purpose. Furthermore, the license granted is expressly made subject to the following additional limitations: Customer shall not (i) rent, lease, display, sell, transfer, assign, sublicense, or distribute the Evaluation Board; and (ii) permit any Third Party to access the Evaluation Board. As used herein, the term "Third Party" includes any entity other than ADI, Customer, their employees, affiliates and in-house consultants. The Evaluation Board is NOT sold to Customer; all rights not expressly granted herein, including ownership of the Evaluation Board, are reserved by ADI. CONFIDENTIALITY. This Agreement and the Evaluation Board shall all be considered the confidential and proprietary information of ADI. Customer may not disclose or transfer any portion of the Evaluation Board to any other party for any reason. Upon discontinuation of use of the Evaluation Board or termination of this Agreement, Customer agrees to promptly return the Evaluation Board to ADI. ADDITIONAL RESTRICTIONS. Customer may not disassemble, decompile or reverse engineer chips on the Evaluation Board. Customer shall inform ADI of any occurred damages or any modifications or alterations it makes to the Evaluation Board, including but not limited to soldering or any other activity that affects the material content of the Evaluation Board. Modifications to the Evaluation Board must comply with applicable law, including but not limited to the RoHS Directive. TERMINATION. ADI may terminate this Agreement at any time upon giving written notice to Customer. Customer agrees to return to ADI the Evaluation Board at that time. LIMITATION OF LIABILITY. THE EVALUATION BOARD PROVIDED HEREUNDER IS PROVIDED "AS IS" AND ADI MAKES NO WARRANTIES OR REPRESENTATIONS OF ANY KIND WITH RESPECT TO IT. ADI SPECIFICALLY DISCLAIMS ANY REPRESENTATIONS, ENDORSEMENTS, GUARANTEES, OR WARRANTIES, EXPRESS OR IMPLIED, RELATED TO THE EVALUATION BOARD INCLUDING, BUT NOT LIMITED TO, THE IMPLIED WARRANTY OF MERCHANTABILITY, TITLE, FITNESS FOR A PARTICULAR PURPOSE OR NONINFRINGEMENT OF INTELLECTUAL PROPERTY RIGHTS. IN NO EVENT WILL ADI AND ITS LICENSORS BE LIABLE FOR ANY INCIDENTAL, SPECIAL, INDIRECT, OR CONSEQUENTIAL DAMAGES RESULTING FROM CUSTOMER'S POSSESSION OR USE OF THE EVALUATION BOARD, INCLUDING BUT NOT LIMITED TO LOST PROFITS, DELAY COSTS, LABOR COSTS OR LOSS OF GOODWILL. ADI'S TOTAL LIABILITY FROM ANY AND ALL CAUSES SHALL BE LIMITED TO THE AMOUNT OF ONE HUNDRED US DOLLARS (\$100.00). EXPORT. Customer agrees that it will not directly or indirectly export the Evaluation Board to another country, and that it will comply with all applicable United States federal laws and regulations relating to exports. GOVERNING LAW. This Agreement shall be governed by and construed in accordance with the substantive laws of the Commonwealth of Massachusetts (excluding conflict of law rules). Any legal action regarding this Agreement will be heard in the state or federal courts having jurisdiction in Suffolk County, Massachusetts, and Customer hereby submits to the personal jurisdiction and venue of such courts. The United Nations Convention on Contracts for the International Sale of Goods shall not apply to this Agreement and is expressly disclaimed.

©2020 Analog Devices, Inc. All rights reserved. Trademarks and registered trademarks are the property of their respective owners.
UG23496-7/20(0)



www.analog.com