



Datasheet

RS PRO Switch limit safety roller lever adjust, Plastic body, 1NO/1NC Snap action, M20 conduit, IP67

Stock number: **179-7569**

EN



Specifications:

Operating Frequency	Mechanical: 120ops/min Electrical: 30 ops/min
Insulation Resistance	>100MΩ@500V DC
Contact Resistance	<25mΩ(initial value)
Rated Thermal Current	10A
Electrical Rating (UL,cUL Approved)	AC 15 A600 DC 13 Q300
Dielectric Strength	1000VAC for 1 min between current carrying parts 2500VAC for 1 min between non-current carrying parts
Service Life	Mechanically 1×10^7 Electrically 5×10^5
Operating Temperature (with no icing)	-25~+80°C (-13~176°F)
Degree of Protection	IP67
Humidity	<95%RH

Features:

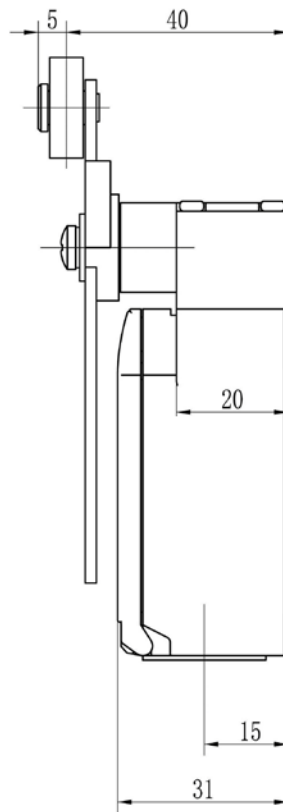
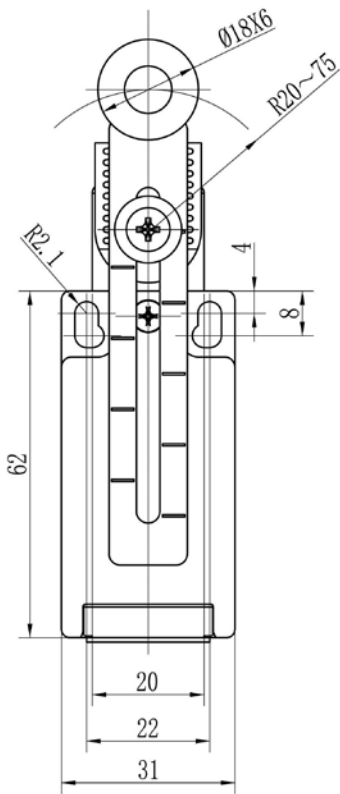
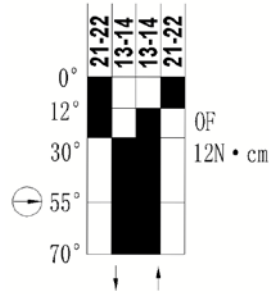
- Robust glass fiber reinforce plastic body
- UL/CSA/CE Certified
- Threaded hole available: M20*1.5





Circuit Diagram

1NO/1NC



rspro.com

