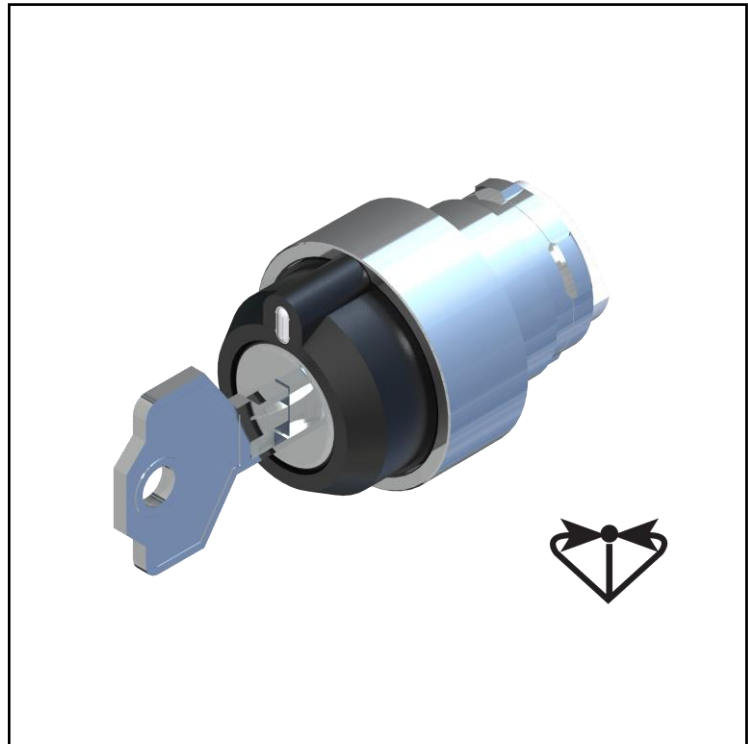


FEATURES

- Front panel mount
- Chrome plated outer
- Colour: Black
- Switch position: 2 or 3
- Key n° G.513 Included
- Outer diameter: 30 mm
- IP65 rating

RS PRO Key Selector Switch Head – Chrome Plated

RS Stock No.: 2383933



RS Professionally Approved Products bring to you professional quality parts across all product categories. Our product range has been tested by engineers and provides a comparable quality to the leading brands without paying a premium price.

Product Description

Family Name

From the trusted brand RS PRO, a range of high-quality selector switch heads designed to be used in conjunction with a compatible contact block and support base. These selector switch heads have a chrome-plated body and key actuation with 2 or 3 switch positions. During application, they are front panel mounted via a 22 mm cut-out and should be connected to a support base secured with screws. Once fully operational a selector switch head depending on the model, opens and closes contacts, turns right, left, and centre with a positive feel without rotation of the operators.

General Specifications

Casing Material	Chrome-plated Zamak
Operator	Key selector switches 2383933 – 3 Positions, left and right spring return position, central key extraction
Color	Black
Outer diameter	30

Mechanical Specifications

Operating Temperatures [°C]	-25 / +70
Stock Temperatures [°C]	-40 / +80
Mechanical durability (Millions of operations)	0.3
B10d (million of operations)	0.6
Max. switching frequency [Cicli/h]	3600

Electrical Specifications

--	--

Protection Category

IP Degree of Protection	65
-------------------------	----

Additional Information

EAN	8000126233360
-----	---------------

Family Name

Custom Tariff Number	85371098
-----------------------------	----------

Classification

eCI@ss (Version)	
UNSPSC (Version)	

Approvals

Declarations	CE – UKCA
Standards Met	EN 60947-5-1 and UL 508

Similar Products

Stock No.	Brand	Product Name	Attribute 1	Attribute 2	Attribute 3
XXX-XXXX	RS PRO				
XXX-XXXX	RS PRO				

Connection Diagrams / Assembly Diagrams / Illustrations / Accessories